

 **DUNE HD**  
*TV-101*



Quick Start Guide • Guide de démarrage rapide • Anweisung für einen schnellen Start • Snel Start Gids  
Guía de instalación rápida • Краткое руководство • Короткий посібник • Instrukcja Szybki Start



Manufactured under license from Dolby Laboratories.  
Dolby and the double-D symbol are trademarks of Dolby Laboratories.



Manufactured under license under U.S. Patent #'s: 5,451,942; 5,956,674; 5,974,380; 5,978,762; 6,226,616; 6,487,535; 7,212,872; 7,333,929 & other U.S. and worldwide patents issued & pending. DTS and the Symbol are registered trademarks, & DTS-HD, DTS-HD High Resolution Audio and the DTS logos are trademarks of DTS, Inc. Product includes software. © DTS, Inc. All Rights Reserved.



## Table of Contents

---

<b>English</b>	<b>4</b>	Quick Start Guide
<b>Français</b>	<b>16</b>	Guide de démarrage rapide
<b>Deutsch</b>	<b>28</b>	Anweisung für einen schnellen Start
<b>Nederlands</b>	<b>40</b>	Snel Start Gids
<b>Español</b>	<b>52</b>	Guía de instalación rápida
<b>Русский</b>	<b>64</b>	Краткое руководство
<b>Українська</b>	<b>76</b>	Короткий посібник
<b>Polski</b>	<b>88</b>	Instrukcja Szybki Start

## Introduction

Dune HD TV-101 is an all-in-one solution for up to Full HD (1080p) video playback.

## Key Features

- **The newest Sigma Designs 8670/8671 media processor:** enjoy excellent playback and performance of interactive features.
- **HDD player:** connect an HDD to the player and play content directly from the HDD.
- **Network player:** connect the player to a local network and play content directly from PC or NAS (UPnP, SMB, NFS).
- **MKV player:** play HD and SD video in a popular MKV format and other modern video file formats, including top quality HD video with very high bitrate.
- **USB port:** conveniently connect HDDs, USB flash drives, USB card readers and other USB storage devices.
- **HDMI 1.3:** ensure the best possible quality of HD video and HD audio.
- **Video output flexibility:** output video in any resolution and format (from SD to 1080p, 24p/PAL/NTSC).
- **Upscaling:** high quality upscaling of DVD and any other SD video content to Full HD (1080p) or other HD resolution.
- **File browser:** convenient file browser with powerful file management (copy, move, delete, rename, organize, sort).

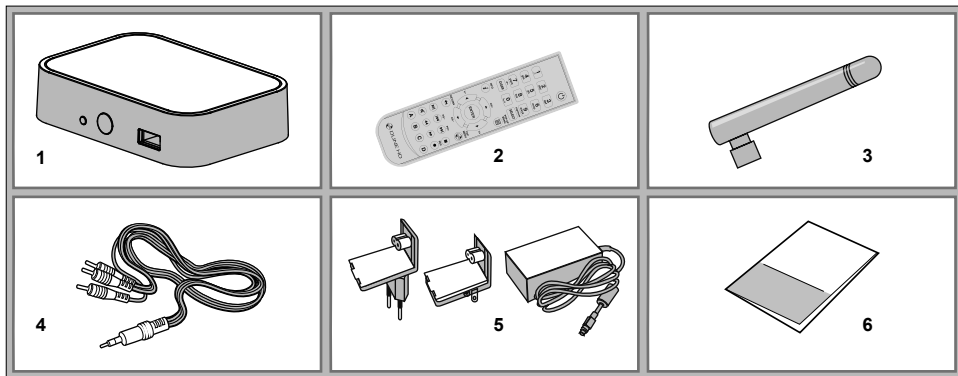
## Extra Functions

- **High-quality music playback:** play very high-quality (up to 192 Khz / 24-bit) music files in various formats (FLAC, Monkey's Audio APE, WAV/PCM, DTS, etc).
- **Playlists:** build playlists from your folders, use your own playlists, use repeat and shuffle functions.
- **NAS function:** access files on storage devices (HDD, optical drive, etc) attached to the player from the local network (using SMB or FTP).
- **BitTorrent:** use built-in BitTorrent client to download files from P2P networks.
- **Customizable user interface:** work with media collections using cover art and icon browsing (with Full HD graphics).
- **Internet radio:** playback and record various Internet radio stations (HTTP/MP3 and other formats).
- **IPTV:** playback and record IPTV streams (multicast UDP/RTP) from your Internet provider\*.
- **Digital TV option:** playback and record Digital TV channels using an optional Digital TV USB dongle\*\*.

\* Check availability of multicast UDP/RTP streams with your Internet provider.

\*\* Digital TV USB dongle is not included; this option can be purchased separately.

## Package Contents



1. Dune HD TV-101 media player
2. Remote control (batteries may not be included)

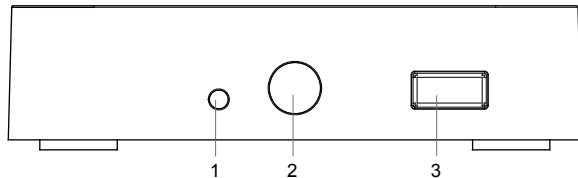
3. Wi-Fi antenna (optional)
4. AV cable (3.5mm minijack to 3xRCA)

5. External power supply
6. Quick start guide

**NOTE:** Additional items (optional) may be included into the package, depending on player configuration, region, and distributor.

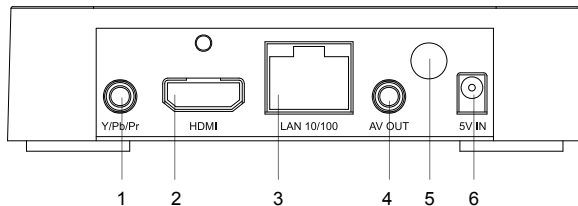
## Exterior

### Front view



1. LED indicator
2. IR eye
3. USB 2.0 host

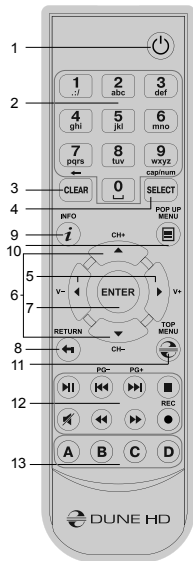
### Rear view



1. Component output
2. HDMI 1.3
3. LAN
4. 3.5mm minijack AV out
5. Wi-Fi antenna (optional)
6. DC power 5V

## Remote Control

- POWER** — toggle the standby mode.
- 0–9** — enter numbers and text, switch TV channels during TV watching.
- CLEAR** — delete entered data, delete selected items.
- SELECT (cap/num)** — switch text input modes, select several items, control some other player functions.
- RIGHT/LEFT (V+/V-)** — navigate through the menu, adjust the volume during playback.
- UP/DOWN (CH+/CH-)** — navigate through the menu, switch TV channels during TV watching.
- ENTER** — open/use the selected item, confirm the input, show OSD menu during playback, show TV channels menu and Electronic Program Guide during TV watching.
- RETURN** — go back, cancel the action.
- INFO** — show information about the selected item or the current player state.
- POP UP MENU** — show a menu with possible actions for the selected item or the current player state.
- TOP MENU** — navigate to the top menu of the player, control some other player functions.
- PLAY/PAUSE, STOP, PREV, NEXT, REW, FWD, REC, MUTE** — control the playback and some other player functions.
- A (Red), B (Green), C (Yellow), D (Blue)** — control various player functions (depending on the context).





**NOTES:**

- *Use alkaline AAA batteries.*
- *Observe polarity when inserting batteries.*
- *Direct the remote control to the player. There must be no obstacles between the RC and the player.*
- *If RC functions only at short distances or stops functioning, make sure to replace the batteries.*
- *Some RC buttons may have several functions depending on the current player mode.*
- *Some RC buttons may be available only in certain player modes or only during playback of a certain content.*

## Getting Started

Ensure there is enough space around the player for proper cooling. The space at each side should be not less than 10 cm.

Ensure the RC has batteries installed.

Connect the player to your TV and to other A/V equipment in an appropriate way. Use HDMI connection to get the best possible quality of video and audio. Make sure to switch off the player and all relevant A/V equipment before connecting them. Ensure your TV and other A/V equipment are configured to use proper inputs.

Switch on the player. The player will perform its initial loading procedure, which may take up to about 1 minute. During the loading procedure, "DUNE" logo is shown on the TV.

- If you do not see "DUNE" logo on the TV when you switch on the player, it may mean some problem with the connection between the player and the TV or that a wrong video input is chosen in the TV or A/V receiver/switch. In such a case, recheck the cables and the settings of the TV or A/V receiver/switch, or try to use different cables or a different way of connecting the player to the TV.
- If you see "DUNE" logo on the TV when you switch on the player, but then the picture disappears and no other picture appears during at least 10 seconds, it may mean that a wrong video output mode is configured in the player. In such a case, press the "REC" RC button, and then press one of the RC buttons "1", "2", "3", "4" or "5" to switch to a different video output mode (see "Quick Setting of Video Output Mode").

Finally, you should see the main screen of the player menu. The main screen shows items allowing to use different player functions and access all storage devices and network drives connected to the player.

Adjust the player settings as needed using "**SETUP**" item on the main screen of the player menu. In particular, you may want to adjust video settings, audio settings, and network settings.

To choose the language of the player menu, use "Setup / General / Interface language" setting.

Use the RC buttons "**LEFT**", "**RIGHT**", "**UP**", "**DOWN**", "**ENTER**", "**RETURN**" to navigate through the player menu. Use the "**POP UP MENU**" RC button to show the list of available commands. Use the "**INFO**" RC button to show the information about the selected item.

## Quick Setting of Video Output Mode

The "**REC**" RC button allows quick setting of video output mode without entering the player setup menu. This way of video output configuration may be required if you see no picture on the screen after connecting your player to a TV.

Press the "**REC**" RC button and then one of the RC buttons "**1**", "**2**", "**3**", "**4**", or "**5**" to switch to one of the following video output modes respectively:

1. Composite PAL
2. Composite NTSC
3. HDMI, 480i, 60 Hz
4. HDMI, 720p, 60 Hz
5. HDMI, 1080i, 60 Hz

After you see a picture on the TV, press the "**ENTER**" RC button, and then go to the player setup menu to perform a more precise configuration of the video output mode if needed.

**NOTE:** *The procedure of quick setting of video output mode can not be used during playback and in some other cases. To ensure this procedure can be used, switch the player off, then switch the player on, and then wait about 1 minute to ensure the player loading is finished. After that press «STOP» RC button to ensure playback is stopped. Then use «REC» RC button.*

## Connecting USB Drives

To connect a USB drive, ensure you are on the main screen of the player menu and connect the USB drive to an USB port of the player. The player will recognize the USB drive, and will show an item corresponding to the USB drive on the main screen.

When connecting a USB drive requiring significant power (such as USB HDD), use an external power supply for the USB drive. Power provided by the USB ports of the player may not be enough for correct functioning of the USB drive. Do not disconnect or switch off the USB drive when some write operation is in progress.

## Accessing Network Drives

To connect a network drive using SMB or NFS protocol, ensure you are on the main screen of the player menu, press the **"MENU"** RC button, and choose "Create Network Folder", then fill the parameters of the network drive as needed. The player will show an item corresponding to the configured network drive on the main screen.

To browse the list of network resources accessible via SMB or UPnP protocols, use "Network Browser" item on the main screen of the player menu.

**NOTE:** *If some network resources are not shown by the player, you may need to wait some minutes and then retry (or press the **"MENU"** RC button and choose "Refresh" command).*

## Formatting HDD

To format a HDD attached to the player, select the HDD item on the main screen of the player menu, press the **"INFO"** RC button and choose "Format Disk" (to format the entire disk) or "Format Partition" (or to format an already existing disk partition only). The player will format the disk. To format an unformatted HDD, just press the **"ENTER"** RC button on the HDD item.

**NOTE:** *To use disks formatted by the player on a Windows PC, you may need to install additional software on the PC, such as "EXT2FSD" (<http://www.ext2fsd.com/>).*

## Switching the Player On and Off

To put the player into the standby mode, press the «**POWER**» RC button. To exit the standby mode, press this buttons again.

Depending on the player settings (see the player setup menu), the «hardware standby» or «software standby» mode may be used. In the «hardware standby» mode, almost complete power-off takes place and the player consumes almost no power. In the «software standby» mode, the player produces no signal on the video output, but is still functioning. For example, if you have some storage devices connected to the player, you may still access them from network («NAS» function of the player). Exiting the «software standby» mode takes just a few seconds. When the player is in the «software standby» mode, it still consumes significant power. It is not recommended to keep the player in the «software standby» mode for a while if you do not need it.

To switch the player off completely, disconnect the power plug.

**NOTE:** *After switching off the player completely or putting the player into the «hardware standby» mode, it is recommended to wait about 1 minute before switching it on again.*

## NAS (Network Attached Storage)

You can access storage devices connected to the player from the local network using FTP and SMB protocols. On a Windows PC, just type «ftp://ip\_address» or «\\ip\_address» in the Windows explorer, where «ip\_address» is the IP address of the player.

## WiFi

If you player does not include a built-in WiFi adapter, you can use a USB WiFi adapter to connect the player to the local network via WiFi.

Please see here for the information on supported USB WiFi adapters: [http://dune-hd.com/support/hw\\_compat/](http://dune-hd.com/support/hw_compat/)

## Limitations

Compatibility of the player with a particular hardware (A/V equipment, network equipment, disk drives, etc) may depend on various factors (particular hardware model, specifics of hardware installation and usage, configuration of the player and the hardware, etc). If the player does not correctly work with a particular hardware, try to adjust the configuration of the player or hardware, try to use the hardware in a different way, or try to use some other hardware.

Compatibility of the player with a particular media content (files, discs, etc) may depend on various factors (specifics of media content encoding, specifics of the configuration of the player, etc). If the player does not play correctly a particular media content, try to adjust the configuration of the player, or try to use media content encoded in a different way.

### Updating Your Player and Getting More Information

Please check here for updated versions of player firmware (which may improve player functioning and extend player possibilities):

<http://dune-hd.com/firmware/>

*(Note: You can also connect the player to Internet and use the online firmware upgrade function, see Setup / Misc / Firmware Upgrade.)*

Please check here for more detailed and up-to-date documentation and information on player usage:

<http://dune-hd.com/manuals/>

<http://dune-hd.com/support/>



## Introduction

Le Dune HD TV-101 est une solution tout en un pour la lecture vidéo en Full HD (1080p).

## Fonctions clés

- **Nouvelle puce Sigma Designs 8670/8671:** profitez de puissantes performances pour une excellente qualité de lecture et de contenus interactifs.
- **Lecteur de disques durs:** connectez un disque dur au lecteur pour lire des contenus directement depuis le disque dur.
- **Lecteur réseau:** connectez le lecteur à votre réseau local et lisez vos contenus multimédia directement depuis votre ordinateur ou NAS (UPnP, SMB, NFS).
- **Lecteur MKV:** lisez vos vidéos HD et SD encapsulées en format MKV ou tout autre format vidéo récent, avec un très haut débit.
- **Port USB:** connectez facilement vos disques durs, clés USB, lecteurs de cartes mémoires et autres périphériques USB.
- **HDMI 1.3:** permet la meilleure qualité d'affichage vidéo HD et lecture audio HD possible.
- **Polyvalence d'affichage vidéo:** sortie vidéo dans n'importe quelle résolution et format (SD à HD 1080p, 24p/PAL/NTSC).
- **Upscaling:** mise à l'échelle haute qualité des DVD ou toute autre source SD en Full HD (1080p) ou toute autre résolution HD.
- **Navigateur de fichiers:** explorateur de fichiers simple et pratique avec puissante gestion de fichiers (copier, déplacer, supprimer, renommer, organiser, trier).



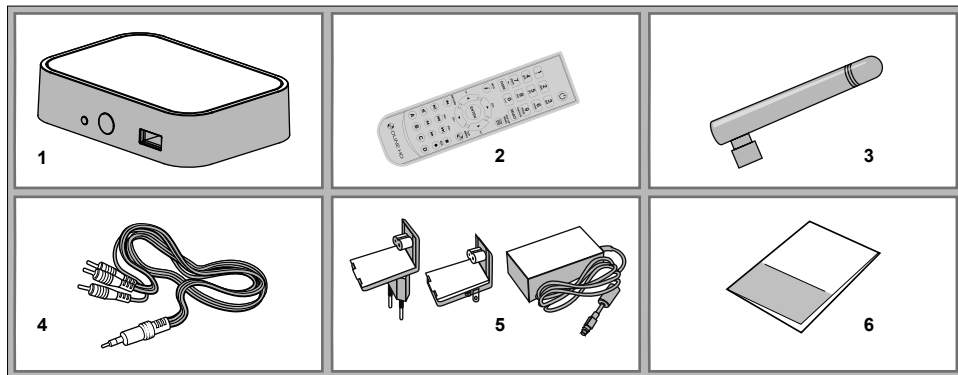
## Fonctions complémentaires

- **Lecture de musique haute qualité:** lecture en qualité audiophile (jusqu'à 192 kHz / 24 bits) des fichiers musicaux dans la plupart des formats (FLAC, APE audio singe, WAV / PCM, DTS, etc.)
- **Playlists:** créez des listes de lecture à partir de vos dossiers, utilisez vos propres listes de lecture et profitez des fonctions de répétition et de lecture aléatoire.
- **Fonction NAS:** accédez aux fichiers stockés sur divers périphériques de stockage (disque dur, lecteur optique, etc) reliés au lecteur à partir du réseau local (via SMB ou FTP).
- **BitTorrent:** profitez du client BitTorrent intégré pour télécharger des fichiers depuis un réseau P2P.
- **Interface graphique personnalisable:** explorez vos collections multimédia en navigation par jaquettes (avec des graphismes en Full HD).
- **Radios Internet:** lecture et enregistrement de stations radio Internet (formats HTTP/MP3 et autres).
- **IPTV:** lecture et enregistrement de flux IPTV (multicast UDP / RTP) provenant de votre fournisseur d'accès Internet\*.
- **TNT HD:** lecture et enregistrement des chaînes de la TNT (SD et HD) via le tuner TNT optionnel (dongle USB) \*\*.

\* Vérifiez la disponibilité de multicast UDP / RTP avec votre fournisseur d'accès Internet.

\*\* Tuner TNT HD sur clef USB non incluse et vendue séparément.

## Contenu de la boîte

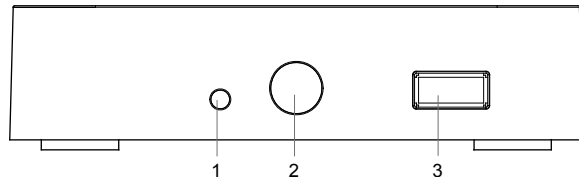


1. Lecteur Dune HD TV-101
2. Télécommande (les piles peuvent ne pas être incluses)
3. Antenne Wi-Fi (optionnel)
4. Câble AV (mini-jack 3.5mm vers 3xRCA)
5. Bloc alimentation
6. Guide de démarrage rapide

**NOTE:** Des accessoires supplémentaires (optionnels) peuvent être inclus dans la boîte en fonction du pays, du distributeur et de la configuration du lecteur.

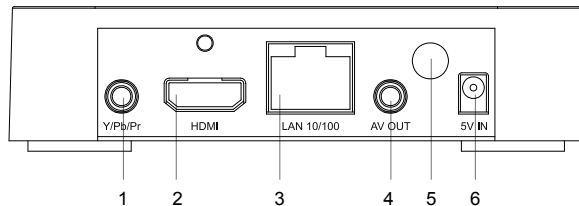
## Vue Extérieure

### Panneau frontal



1. Indicateur LED
2. Récepteur IR
3. Port USB 2.0 host

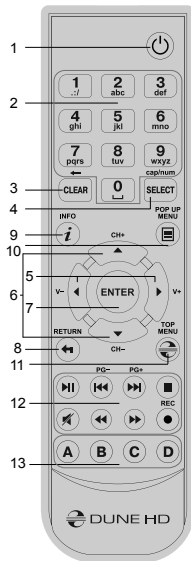
### Panneau arrière



1. Sortie vidéo composante (Y/Pb/Pr)
2. HDMI 1.3
3. LAN (Ethernet)
1. 3.5mm mini-jack AV out
4. Antenne Wi-Fi (optionnel)
5. Connecteur d'alimentation 5V

## Télécommande

1. **POWER** — bouton marche/arrêt (mise en veille)
2. **0-9** — saisie alpha/numérique, accès aux chaînes TV, raccourcis d'accès par pourcentage.
3. **CLEAR** — suppression de données saisies, suppression des articles sélectionnés.
4. **SELECT (cap/num)** — changement du mode de saisie de texte, sélection de divers éléments, peut s'appliquer à d'autres fonctions du lecteur.
5. **RIGHT/LEFT (V+/V-)** — navigation dans les menus, ajustement du volume pendant la lecture.
6. **UP/DOWN (CH+/CH-)** — navigation dans les menus, changement de chaînes TV pendant le visionnage de chaînes TV.
7. **ENTER** — ouverture/utilisation de l'élément sélectionné, validation de l'option sélectionnée, affichage de l'OSD pendant la lecture, affichage des chaînes TV et de l'EPG pendant le visionnage de chaînes TV.
8. **RETURN** — retour à l'écran précédent, annule une commande.
9. **INFO** — affiche les informations sur l'élément sélectionné ou sur l'état général du lecteur.
10. **POP UP MENU** — affiche un menu détaillant les actions possible sur l'élément sélectionné ou sur l'état général du lecteur.
11. **TOP MENU** — navigation vers le menu principal du lecteur, peut s'appliquer à d'autres fonctions du lecteur.



**12. PLAY/PAUSE, STOP, PREV, NEXT, REW, FWD, REC, MUTE** — contrôle de lecture, peut s'appliquer à d'autres fonctions du lecteur.

**13. A (Rouge), B (Vert), C (Jaune), D (Bleu)** — accès à diverses fonctions du lecteur (en fonction du média utilisé).

**NOTES:**

- *Utilisez des piles alcaline AAA*
- *Respectez la polarité des piles.*
- *Dirigez bien la télécommande vers le lecteur. Aucun obstacle ne doit se trouver entre la télécommande et le lecteur.*
- *Si la télécommande ne fonctionne que sur une courte distance ou ne fonctionne pas du tout, assurez vous de remplacer les piles.*
- *Certaines touches de la télécommande peuvent avoir plusieurs fonctions selon le mode de lecture.*
- *Certaines touches de la télécommande ne sont disponibles que dans certains modes ou pendant la lecture de certains contenus.*

## Démarrage

APour la bonne marche du lecteur, assurez-vous d'avoir au moins 10 cm d'espace libre de chaque côté du lecteur. Assurez-vous que les piles sont installées dans la télécommande.

Connectez le lecteur à votre téléviseur ou à tout autre équipement A/V de manière appropriée. Préférez l'utilisation de la connexion HDMI pour une qualité d'image et de son optimale. Assurez-vous d'éteindre le lecteur ainsi que tous les équipements A/V avant d'effectuer les branchements. Assurez-vous que votre téléviseur et vos différents appareils A/V soient bien configurés au niveau des entrées.

Allumez le lecteur. Le lecteur effectue sa procédure d'initialisation, qui peut prendre jusqu'à une minute. Durant le démarrage, le logo "DUNE" s'affiche à l'écran.

- Si le logo "DUNE" n'apparaît pas lors du démarrage du lecteur, cela vient peut-être d'un problème de connexion entre le lecteur et votre diffuseur ou bien d'une mauvaise sélection d'entrée vidéo. Si tel est le cas, vérifiez vos câbles ainsi que les réglages vidéo de votre diffuseur, remplacez les câbles si nécessaire ou choisissez une autre manière de connecter le lecteur au diffuseur.
- Si vous voyez le logo "DUNE" sur votre écran lorsque vous allumez le lecteur et qu'il disparaît sans qu'aucune image n'apparaisse pendant au moins 10 secondes, cela veut dire qu'il y a un problème de sortie vidéo du lecteur. Dans ce cas veuillez appuyer sur la touche "**MODE**" de la télécommande et utilisez les touches "**1**", "**2**", "**3**", "**4**" ou "**5**" pour changer de résolution vidéo (cf. Réglage rapide de sortie vidéo).

Finalement, vous devriez voir apparaître le menu principal du lecteur. L'écran principal se compose d'éléments permettant à l'utilisateur d'accéder aux différents périphériques (internes ou externes) ou réseaux et d'accéder aux paramètres du lecteur.

Vous pouvez accéder aux réglages du lecteur en sélectionnant l'icône "**SETUP**" sur l'écran principal du lecteur ou tout simplement en appuyant sur la touche "**SETUP**" de la télécommande. Vous pouvez également régler les paramètres vidéo, audio et réseau.

Pour choisir la langue du lecteur, veuillez sélectionner **“Setup / General / Interface language”**.

Utilisez les touches **“LEFT”**, **“RIGHT”**, **“UP”**, **“DOWN”**, **“ENTER”**, **“RETURN”** de la télécommande pour naviguer à travers les menus du lecteur. Utilisez la touche **“MENU”** de la télécommande pour afficher la liste des commandes disponibles. Utilisez la touche **“INFO”** de la télécommande pour afficher les informations disponibles sur l'élément sélectionné.

## Réglage rapide de sortie vidéo

La touche **“REC”** de la télécommande permet de régler de façon rapide les modes de sorties vidéo sans passer par le menu réglages du lecteur; ce qui peut être utile si aucune image n'apparaît après allumage du lecteur.

Appuyez sur la touche **“MODE”** de la télécommande puis sur l'une des touches **“1”**, **“2”**, **“3”**, **“4”**, ou **“5”** afin de commuter entre les différents modes de sortie vidéo suivants :

1. Composite PAL
2. Composite NTSC
3. HDMI, 480i, 60 Hz
4. HDMI, 720p, 60 Hz
5. HDMI, 1080i, 60 Hz

Après affichage de l'image à l'écran, appuyez sur la touche **“ENTER”** de la télécommande, allez ensuite dans le menu setup du lecteur afin d'effectuer des réglages de sortie vidéo plus précis si nécessaire.

**NOTE:** La procédure de réglage rapide de sortie vidéo ne peut être utilisée en mode lecture. Pour assurer le bon déroulement de la procédure, éteignez le lecteur puis rallumez-le et patientez environ 1 minute afin que le lecteur puisse achever son démarrage. Appuyez sur la touche **“STOP”** de la télécommande pour vous assurer de l'arrêt de la lecture et appuyez ensuite sur la touche **“REC”**.

## Connexion de périphériques USB

Pour brancher un appareil USB, assurez-vous d'être sur le menu principal du lecteur et de le connecter sur l'un des ports USB. Le lecteur va reconnaître le périphérique USB qui sera symbolisé par une icône sur le menu principal.

Lorsqu'un périphérique USB nécessite une alimentation conséquente (comme un disque dur externe USB), il est préférable d'utiliser une alimentation externe. Le courant fourni par les ports USB peut ne pas être suffisant pour faire fonctionner correctement le périphérique USB.

Ne jamais débrancher ou déconnecter un périphérique USB lorsqu'une opération d'écriture est en cours.

## Accéder aux périphériques réseau

Pour connecter un périphérique réseau utilisant les protocoles SMB ou NFS, assurez-vous d'être sur le menu principal du lecteur, ensuite pressez la touche "MENU" de la télécommande, puis sélectionnez "Nouveau Dossier Réseau" et renseignez les paramètres du périphérique réseau tels qu'ils vous sont demandés. Le lecteur affichera alors une icône correspondant au périphérique réseau configuré sur l'écran principal.

Pour naviguer dans la liste des ressources réseau accessibles via les protocoles SMB ou UPnP, cliquez sur l'icône "Navigateur Réseau" située sur l'écran principal du menu du lecteur.

**NOTE** : Si certaines ressources réseau ne sont pas affichées par le lecteur, il se peut que vous soyez amenés à patienter quelques minutes, voire à réessayer (ou pressez la touche "**MENU**" de la télécommande et sélectionnez "Rafraîchir").

## Formatage disque dur

Pour formater un disque dur connecté au lecteur, sélectionnez l'icône du périphérique correspondant sur l'écran principal du menu du lecteur, pressez la touche "**INFO**" sur le télécommande et choisissez "Formater Disque" (pour formater complètement le disque) ou "Formater Partition" (pour formater une partition déjà existante uniquement). Le lecteur va formater le disque. Pour formater un disque non formaté, appuyez sur la touche "**ENTER**" de la télécommande sur l'icône du disque dur.



**NOTE:** Pour utiliser les disques formatés par le lecteur en EXT2 sur un PC sous Windows, vous pouvez être amené à installer un logiciel tiers tel que “EXT2FSD” (<http://www.ext2fsd.com/>).

## Allumage et extinction du lecteur

Pour mettre le lecteur en veille, appuyez sur la touche “POWER” de la télécommande. Pour sortir du mode veille, appuyez de nouveau sur cette touche.

En fonction des réglages du lecteur (voir menu réglages du lecteur), la mise en veille “matérielle” ou la mise en veille “simple” peuvent être utilisées. Dans le mode mise en veille “matérielle”, l’extinction complète du lecteur ne fait quasiment consommer aucune énergie. Dans le mode mise en veille “simple”, le lecteur ne produit plus aucun signal vidéo mais reste actif. Par exemple, si vous avez des périphériques de stockage connectés au lecteur, vous pouvez toujours y avoir accès (fonction “NAS” du lecteur). Sortir de la mise en veille “simple” ne prend que quelques secondes. Quand le lecteur est en mode veille “simple”, il continue de consommer de l’énergie de manière significative. Il n’est pas recommandé de laisser le lecteur en mode veille “simple” durant trop longtemps si vous n’en avez pas l’utilité.

Pour éteindre complètement le lecteur, débranchez le cordon d’alimentation.

**NOTE:** Après l’extinction complète ou mise en veille “matérielle” du lecteur, il est recommandé d’attendre environ 1 minute avant de rallumer le lecteur.

## NAS (Périphérique de Stockage Réseau)

Vous pouvez accéder aux périphériques de stockage connectés au lecteur depuis le réseau local par l’intermédiaire des protocoles FTP et SMB. Sur un PC Windows, tapez “ftp://adresse\_ip” ou “adresse\_ip” dans l’explorateur Windows; “adresse\_ip” étant l’adresse réseau du lecteur.

## Wi-Fi

Vous pouvez utiliser un adaptateur USB Wi-Fi pour connecter le lecteur au réseau local via Wi-Fi (réseau sans fil). Pour plus d'informations concernant la compatibilité des adaptateurs USB Wi-Fi, veuillez vous rendre à l'adresse suivante:

[http://dune-hd.com/support/hw\\_compat/](http://dune-hd.com/support/hw_compat/)

## Restrictions

La compatibilité du lecteur avec certains matériels (amplificateurs A/V, matériels réseau, disques durs, etc.) peut dépendre de plusieurs facteurs (modèle particulier, installation et usage spécifique, configuration du lecteur avec le matériel, etc.). Si le lecteur ne fonctionne pas correctement avec un matériel particulier, essayez de modifier la configuration du lecteur et du matériel, d'utiliser le matériel différemment ou d'utiliser un autre matériel.

La compatibilité du lecteur avec certains contenus multimédia (fichiers, disques, etc.) peut dépendre de plusieurs facteurs (encodage spécifique de fichier, configuration particulière du lecteur, etc.). Si le lecteur ne fonctionne pas correctement avec un contenu multimédia particulier, essayez de modifier la configuration du lecteur, ou utilisez un contenu multimédia encodé différemment.

## Mise à jour du lecteur et informations complémentaires

Pour rechercher les dernières mises à jour firmware du lecteur (pouvant améliorer le fonctionnement du lecteur et étendre ses capacités), rendez-vous à l'adresse suivante:

<http://dune-hd.com/firmware/>.

**Note:** Vous pouvez également relier le lecteur à Internet afin d'effectuer la mise à jour en ligne (Setup / Misc / Firmware Upgrade)

Pour obtenir les dernières informations et documentations sur l'utilisation du lecteur, rendez-vous aux adresses suivantes:

<http://dune-hd.com/manuals/>

<http://dune-hd.com/support/>

## Einleitung

Das Abspielgerät Dune HD TV-101 ist eine „All-in-One“ Lösung zur Wiedergabe von Videos bis zu Full HD Auflösung (1080p).

## Haupteigenschaften

- **Modernster Sigma Designs 8670/8671 Prozessor:** Gewährleistet eine perfekte Wiedergabe und eine hohe Arbeitsgeschwindigkeit mit interaktiven Möglichkeiten.
- **HDD Player:** Verbinden Sie eine Festplatte mit den TV 101 um Inhalte direkt von der Festplatte abspielen zu können.
- **Netzwerk Player:** Anschluss des Dune HD TV-101 an das lokale Netzwerk und Wiedergabe von Video, Audio, Bilder usw. direkt vom PC oder NAS (UPnP, SMB, NFS).
- **MKV Wiedergabe:** Wiedergabe von HD und SD im populären MKV Format sowie in anderen modernen Formaten von Videodateien, inklusive HD-Video der höchsten Qualität mit einer sehr hohen Bit-Rate.
- **USB Port:** Einfacher Anschluss von Festplatten, USB-Flash Speichern, Cardreadern und anderen USB-Datenspeichern.
- **HDMI1.3:** Gewährleistet beste Qualität von HD-Video und HD-Audio.
- **Flexibles Video-Ausgabe System:** Video-Ausgabe in beliebiger Auflösung und Formaten (von SD bis 1080p, 24p/PAL/NTSC).
- **Verbesserung der Auflösung (Upscaling):** Hochqualitative Verbesserung der Auflösung von DVD und beliebigen anderen SD-Video-Bilder bis zu Full-HD (1080p) oder anderen HD-Auflösungen.
- **Dateibrowser:** Universeller Dateibrowser mit erweiterten Möglichkeiten des Datenmanagements (Kopieren, Verschieben, Entfernen, Umbenennen, Organisieren/Strukturieren, Sortieren).

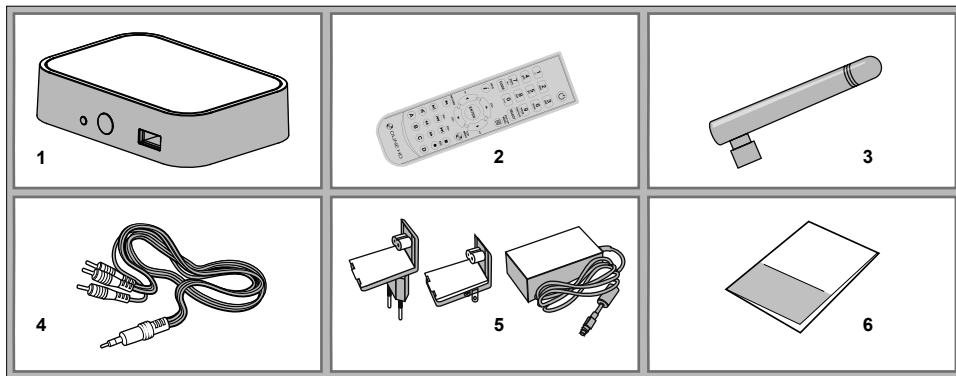
## Zusatzfunktionen

- **Wiedergabe von Audio-Dateien mit höchster Qualität:** Bis 192 kHz/ 24-bit, in Formaten FLAC, Monkey's Audio APE, WAV/PCM, DTS etc.
- **Abspiellisten:** Formierung von Abspiellisten aus Ordnern, Benutzung von eigenen Abspiellisten, Wiederholfunktion und zufällige Wiedergabe.
- **NAS-Funktion:** Zugang zu Dateien auf externen Laufwerken basierend auf Festplatten, optischen Laufwerken usw., welche entweder direkt angeschlossen oder über das lokale Netzwerk mit Hilfe von SMB oder FTP erreichbar sind.
- **BitTorrent:** Download von Dateien aus den P2P-Netzen unter Verwendung eines integrierten BitTorrent Clients
- **Einstellbare Benutzeroberfläche:** Unterstützung von Media-Sammlungen in Foldern und Verzeichnissen mit Full HD Grafik.
- **Internet-Radio:** Wiedergabe und Aufnahme verschiedener Internet-Radiostationen (HTTP/MP3 und andere Formate).
- **IPTV:** Wiedergabe und Aufnahme von IPTV-Streams (Multicast UDP/RTP) von einem Internetdienstanbieter (Provider)\*.
- **Digital TV Option:** Wiedergabe und Aufnahme von digitalen Fernsehkanälen mit Hilfe von optionalen USB-Modulen für Digital TV\*\*.

\* Prüfen Sie ob Ihr Provider bzw. der Video / TV Diensteanbieter UDP/RTP-Streams unterstützt.

\*\* USB-Module für Digital TV sind im Lieferumfang nicht eingeschlossen und optional erhältlich

## Packungsinhalt



1. Abspielgerät Dune HD TV-101  
 2. Fernbedienung (Batterien könnten im Lieferumfang nicht vorhanden sein)

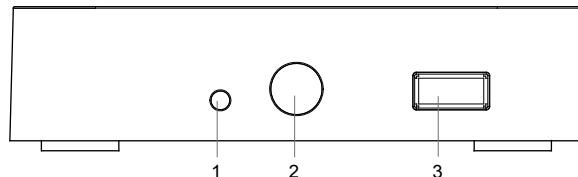
3. WLAN Antenne (optional)  
 4. AV Kabel (2 x RCA - 3,5mm Klinkenstecker)

5. Externes Netzteil  
 6. Schnellstartanleitung

**BEMERKUNG:** Andere optionale Zubehörteile können sich je nach Konfiguration des Abspielgerätes, der Region und des Distributors im Lieferumfang befinden

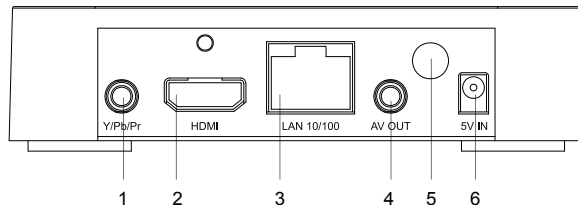
## Gehäuse

### Vorderansicht



1. LED-Leuchtanzeige
2. Infrarot-Auge
3. USB 2.0 Host-Anschluss

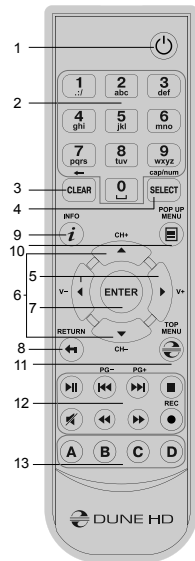
### Rückansicht



1. Komponenten-Y/Pb/Pr-Ausgang
2. 3,5 mm Klinke AV Ausgang
3. HDMI 1.3
4. LAN
5. 3,5 mm Klinke AV Ausgang
6. Wlan Antenne (optional)

## Fernbedienung

1. **Power** – Abspielgerät ein-/ausschalten (Standby-Modus)
2. **0-9** — Eingabe von Ziffern und Texten, Beim Fernsehen zum ausgewählten Sender wechseln
3. **CLEAR** — Bei der Texteingabe: Zeichen löschen
4. **SELECT** — Elemente auf dem Bildschirm auswählen
5. **Pfeile (LINKS, RECHTS) V+/V-** — Veränderung der Lautstärke
6. **Pfeile (AUF, RUNTER) P+/P- (Seite hoch/Seite runter)** — Bildverschiebung auf und ab in verschiedenen Listen sowie Steuerung einiger anderen Funktionen des Abspielgerätes
7. **ENTER** — Öffnen/Abspielen des gerade selektierten Eintrags
8. **RETURN** — Zurück zur vorherigen Menüseite oder Menü verlassen
9. **INFO** — Informationen anzeigen, Steuerung weiterer Player-Funktionen
10. **POP UP MENU** — Popup-Menü aufrufen
11. **TOP MENU** — Steuerung des Abspielgerätes (Auswahl der Elemente auf dem Bildschirm, Steuerung einiger anderen Funktionen des Abspielgerätes)
12. **PLAY, PAUSE, STOP, SLOW, REW, FWD, PREV, NEXT** — Steuerung des Wiedergabevorgangs
13. **A (rot), B (grün), C (gelb), D (blau)** — Funktionen sowie Steuerung einiger anderen Funktionen des Abspielgerätes





**BEMERKUNGEN:**

- *Verwenden Sie die alkalischen Batterien von Typ AAA*
- *Beachten Sie die Polarität beim Einbau der Batterien*
- *Richten Sie die Fernbedienung auf das Abspielgerät. Zwischen der Fernbedienung und dem Abspielgerät sollen sich keine Hindernisse/Gegenstände befinden.*
- *Falls die Fernbedienung nur mit einem kleinen Abstand funktioniert, wechseln Sie die Batterien.*
- *Einige Knöpfe der Fernbedienung können abhängig von der Arbeitsweise des Abspielgerätes mehrere Bedeutungen haben.*
- *Einige Knöpfe der Fernbedienung können nur bei bestimmten Arbeitsweisen des Abspielgerätes oder bei der Wiedergabe von Materialien von einem bestimmten Typ funktionieren.*

## Inbetriebnahme

Entfernen Sie die transparente Schutzfolie von der Front des Gerätes für eine bessere Optik.

Um eine ausreichende Kühlung des Gerätes zu gewährleisten, stellen Sie bitte sicher, dass sich auf allen Seiten des Gerätes mindestens 10 cm Freiraum befindet.

Legen Sie die Batterien in die Fernbedienung ein.

Schließen Sie das Gerät an Ihren Fernseher und evtl. andere vorhandene A/V Komponenten an. Nutzen Sie die HDMI Verbindung für die bestmögliche Qualität der Video- und Audiowiedergabe. Schalten Sie das Gerät und evtl. vorhandene A/V Komponenten aus, bevor Sie die Geräte verbinden. Stellen Sie bitte sicher, dass Ihr TV und evtl. vorhandene andere A/V Komponenten auf die richtigen Eingänge konfiguriert wurden. Schalten Sie den Player ein. Der Player startet nun mit dem Ladevorgang, welcher bis zu einer Minute dauern kann. Während dieser Zeit erscheint das "DUNE" Logo auf dem TV.

- Falls nach dem Einschalten das "DUNE" Logo nicht am Bildschirm erscheint, deutet dies auf ein Problem mit der Verkabelung zwischen Player und TV, oder falsch eingestelltem Videoeingang am TV hin. In diesem Fall überprüfen Sie bitte nochmals die korrekte Verkabelung und die Einstellungen am TV Gerät. Alternativ versuchen Sie, den Player über andere Anschlüsse mit dem TV zu verbinden.
- Falls nach dem Einschalten das "DUNE" Logo am Bildschirm zu sehen ist, dann aber das Bild verschwindet und das Menü nach mindestens 10 Sekunden nicht erscheint, deutet dies auf einen falsch eingestellten Video-Modus am Player hin. In diesem Fall drücken Sie bitte die "**MODE**" Taste der Fernbedienung und im Anschluss die Tasten "**1**", "**2**", "**3**", "**4**" oder! "**5**", um einen anderen Video-Modus zu wählen. (s.u. "Schnellwechsel des Video-Modus").

Das Hauptmenü sollte nun auf dem TV erscheinen. Dieses Hauptmenü erlaubt über verschiedene Menüpunkte den Zugang zu den einzelnen Funktionseinstellungen des Players, ebenso wie den Zugriff auf angeschlossene Speichermedien und Netzwerkfreigaben.

Nehmen Sie nun die gewünschte Konfiguration des Gerätes über den Menüpunkt "**SETUP**" oder durch Drücken der Taste "**SETUP**" auf der Fernbedienung vor. Insbesondere die Video-, Audio- und Netzwerk-Einstellungen lassen sich

dort individuell anpassen. Um die gewünschte Menüsprache einzustellen, wählen Sie „Setup / General / Interface Language“.

Mit den **LINKS-**, **RECHTS-**, **UNTEN-**, **OBEN-**, **ENTER-**, **RETURN-** Tasten der Fernbedienung navigieren Sie durch die Menüs. Wenn Sie die **MENU** - Taste auf der Fernbedienung drücken, werden die verfügbaren Menübefehle eingeblendet. Mit der **INFO** - Taste können Sie sich Informationen über den ausgewählten Menüpunkt anzeigen lassen.

## Schnellwechsel des Video-Modus

Die **"MODE"** Taste der Fernbedienung erlaubt das schnelle Ändern des Video-Modus, ohne das Menü aufzurufen. Diese Art der Umschaltung könnte nötig sein, wenn Sie nach dem Einschalten des Gerätes keine Ausgabe auf dem TV sehen und so die Umstellung per Menü nicht möglich ist. Drücken Sie die **"MODE"** Taste der Fernbedienung, gefolgt von der Taste **"1"**, **"2"**, **"3"**, **"4"**, oder! **"5"**, je nachdem welcher Modus gewünscht ist. Die Zahlen stehen dabei für folgende Modi:

1. Composite/Component, PAL
2. Composite/Component, NTSC
3. HDMI, 480i, 60 Hz
4. HDMI, 720p, 60 Hz
5. HDMI, 1080i, 60 Hz

Sehen Sie nun ein Bild auf dem TV, drücken Sie bitte die **"ENTER"** Taste der Fernbedienung und wechseln bei Bedarf in das Video Setup Menü, um weitere Feinheiten der Videodarstellung zu konfigurieren.

**HINWEIS:** Der Schnellwechsel des Video-Modus funktioniert nicht bei der Wiedergabe von Inhalten. Um diese Funktion zu nutzen, schalten Sie den Player aus und warten etwa 1 Minute, bis der Player wieder voll betriebsbereit ist. Danach drücken Sie die **"STOP"** Taste um sicherzustellen dass, die Wiedergabe gestoppt wird. Dann nutzen Sie die **"REC"** Taste.

## USB-Geräte anschließen

Zum Einbinden von USB-Geräten wechseln Sie bitte zunächst in das Hauptmenü. Nach Anstecken des USB-Gerätes wird dieses vom Player erkannt und es erscheint der entsprechende Menüpunkt auf dem Bildschirm. Bei Verwendung eines externen USB-Laufwerks mit hohem Strombedarf (z.B. Festplatte), nutzen Sie bitte eine externe Stromversorgung für das Gerät. Die Ausgangsspannung für das Gerät über den USB-Port kann zu gering sein und somit das Gerät nicht funktionieren.

Entfernen Sie kein externes Gerät vom USB-Anschluss während noch Daten geschrieben werden!

## Netzwerkfreigaben einbinden

Um eine Netzwerkfreigabe mittels SMB oder NFS(Linux) einzubinden, wechseln Sie bitte zunächst ins Hauptmenü. Drücken Sie dort nun die **«MENU»** Taste der Fernbedienung und wählen «Netzwerkordner erstellen». Geben Sie nun alle benötigten Parameter für die Netzwerkfreigabe über die Fernbedienung ein. Im Anschluss erscheint im Hauptmenü dann ein neuer Menüpunkt mit der von Ihnen erstellten Netzwerkverbindung.

Um alle verfügbaren SMB oder UPnP Netzwerk Ressourcen anzuzeigen, wählen Sie bitte den Menüpunkt «Network Browser» im Hauptmenü des Players.

**HINWEIS:** Sollten nicht alle verfügbaren Netzwerk Ressourcen angezeigt werden, warten Sie bitte einige Minuten oder drücken nochmals die **«MENU»** Taste der Fernbedienung und wählen **«Refresh»**.

## Festplatte formatieren

Zum Formatieren einer Festplatte, die an den Player angeschlossen ist, wählen Sie im Hauptmenü das Laufwerk aus, drücken die **INFO**-Taste auf der Fernbedienung und wählen entweder den Befehl „Festplatte formatieren“ (zum Formatieren der gesamten Festplatte) oder den Befehl „Partition Formatieren“ (zum Formatieren einer bestehenden Partition). Der Player formatiert die Festplatte mit dem EXT2-Dateisystem.

**HINWEIS:** Wenn Sie Festplatten, die mit dem Player formatiert wurden, an einem Windows PC verwenden möchten, müssen Sie evtl. zusätzliche Software am PC installieren, wie z.B. «EXT2FSD» (<http://www.ext2fsd.com/>).

## Player ein-/ und ausschalten

Um den Player in den Standby Modus zu versetzen, drücken Sie die «POWER» Taste auf der Fernbedienung oder den POWER-Knopf vorne am Player. Zum Beenden des Standby Modus drücken Sie bitte erneut eine der genannten Tasten.

In den Player-Einstellungen (siehe Setup-Menü) können Sie zwischen zwei verschiedenen Standby-Modi wählen: dem „Hardware Standby“ Modus oder dem „Software Standby“ Modus. Im „Hardware Standby“ Modus ist das Gerät fast komplett ausgeschaltet und der Player verbraucht fast keinen Strom. Im „Software Standby“ Modus erzeugt der Player kein Videosignal mehr, ist aber trotzdem noch voll betriebsbereit. Z.B. Können Sie weitere am Gerät angeschlossene Geräte über die NAS-Funktion des Players ansprechen und nutzen. Das Beenden des „Software Standby“ dauert nur wenige Sekunden. Im „Software Standby“ Zustand benötigt der Player signifikant Strom. Wir empfehlen daher, den Player bei längerer Nichtnutzung nicht diesem Standby Modus zu belassen.

**HINWEIS:** Nach Ausschalten des Players bzw. nach Versetzen des Players in den „Hardware Standby“ Modus sollten Sie ca. 1 Minute warten, bevor Sie den Player wieder einschalten.

## NAS (Network Attached Storage)

Sie können über das lokale Netzwerk auf an den Player angeschlossene Laufwerke via FTP oder SMB zugreifen. Auf einem Windows Rechner tippen Sie einfach «ftp://IP-Adresse» oder «\\IP-Adresse» im Windows Explorer, wobei Sie “IP-Adresse “ durch die richtige IP-Adresse des Players ersetzen müssen (z.B. 192.168.0.5).

## WiFi (Drahtlose WLAN Verbindung)

Sie können einen USB-WLAN (WiFi) Stick verwenden, um den Player mittels WLAN mit einem lokalen Netzwerk zu verbinden.

Weitere Informationen zu den unterstützten USB-WLAN Sticks finden Sie unter:

[http://dune-hd.com/support/hw\\_compat/](http://dune-hd.com/support/hw_compat/).

## Einschränkungen

Die Kompatibilität des Players mit verschiedenen Geräten (A/V Geräte, Netzwerkgeräte, Festplattenlaufwerke, etc.) ist abhängig von verschiedenen Faktoren (Gerätemodell und Typ, Hardwareinstallation und Konfiguration des Players und der anderen Geräte). Sollte der Player nicht mit einem speziellen Gerät zusammenarbeiten, versuchen Sie die Konfiguration von Player und Gerät entsprechend zu ändern, um eine Funktion zu gewährleisten. Versuchen Sie verschiedene Möglichkeiten der Verbindungen zwischen Player und den anderen Geräten - oder verwenden Sie ein kompatibles Gerät. Die Kompatibilität des Players mit verschiedenen Medienformaten (Dateien, Discs, etc.) ist abhängig von verschiedenen Faktoren (Encoding der Media Inhalte, Player Konfiguration etc.). Sollte der Player einige Medien nicht abspielen, versuchen Sie die Konfiguration des Players entsprechend zu ändern oder nutzen Sie Medien in einem anderen Format.

## Player updaten und weitere Informationen

Die neuesten Firmware Versionen des Players (Firmware Updates können die Funktion und Stabilität des Players verbessern und den Funktionsumfang erweitern) finden Sie im Internet unter folgendem Link: <http://dune-hd.com/firmware/>.

(Hinweis: Sie können den Player auch mit dem Internet verbinden und die Firmware am Player direkt online aktualisieren; siehe Setup / Verschiedenes / Firmware Upgrade.)

Aktuelle Anleitungen, Handbücher und weiterführende Informationen zur Bedienung und Nutzung des Players finden Sie im Internet unter:

<http://dune-hd.com/manuals/>

<http://dune-hd.com/support/>



## Introductie

Dune HD TV-101 is een alles-in-1 oplossing met Full HD (1080p) video ondersteuning.

## Belangrijke kenmerken

- **De nieuwe Sigma Designs 8670/8671 media processor:** ervaar excellente afspeel kwaliteit, prestaties en interactieve functies.
- **HDD speler:** sluit een externe Harde schijf aan op de speler en speel de content van de HDD direct af.
- **Netwerk speler:** sluit de speler aan op een lokaal netwerk en speel de content van een PC of NAS direct af (UPnP, SMB, NFS).
- **MKV speler:** speel HD en SD video in MKV formaat of andere moderne formaten zoals hoge kwaliteit HD video's met een hoge bitratio direct af.
- **USB poort:** makkelijk een externe HDD, USB geheugen stick, USB kaartlezer en andere USB opslag apparaten aansluiten.
- **HDMI 1.3:** zeker van de best mogelijke kwaliteit HD video en HD audio.
- **Video afspeel flexibiliteit:** speel video's in iedere resolutie of formaat (van SD naar 1080p, 24p/PAL/NTSC).
- **Upscaling:** hoge kwaliteit upscaling van DVD en andere SD video contents tot Full HD (1080p) of andere HD resolutie.
- **Bestand verkenner:** makkelijk bestanden verkennen met krachtige bestands management functies (kopieren, verplaatsen, verwijderen, hernoemen, organiseren, sorteren).



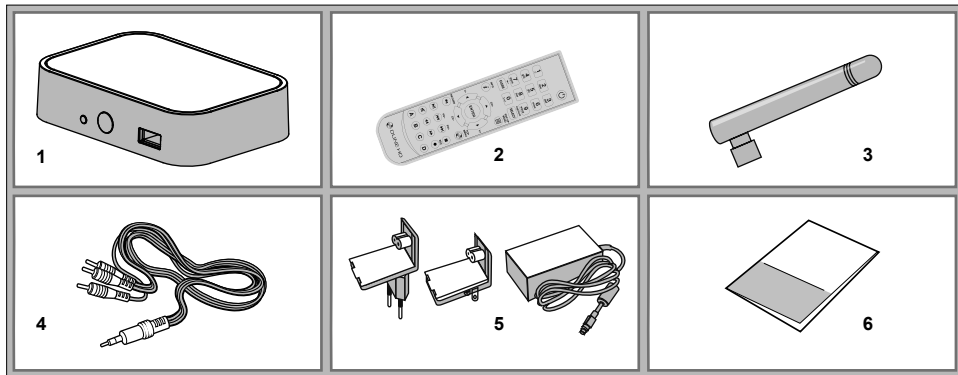
## Extra Functies

- **Hoge kwaliteit muziek afspelen:** speel iedere hoge kwaliteit (tot 192 Khz / 24-bit) muziek bestanden in verschillende formaten (FLAC Monkey's Audio APE, WAV/PCM,DTS, etc).
- **Afspeellijsten:** maak afspeellijsten van de folders, gebruik uw eigen afspeellijsten, gebruik "repeat" en "shuffle" functies.
- **NAS functie:** verken bestanden van opslag apparaten (HDD, optische schijf, etc.) welke aangesloten zijn op de speler vanuit het lokale netwerk (gebruik makende van SMB of FTP).
- **BitTorrent:** gebruik het ingebouwde BitTorrent programma om bestanden te downloaden van P2P netwerken.
- **Unieke gebruikersomgeving:** pas de gebruikersomgeving en achtergronden aan gebruik makende van de ingebouwde cover art en icon browsing programma's (Full HD beeld ondersteuning)
- **Internet radio:** afspelen en opneem opties van verscheidene internet radio stations (HTTP/MP3 en andere formaten)
- **IPTV:** afspelen en opneem opties van IPTV streams (multicast UDP/RTP) van uw internet provider\*.
- **Digital TV optie:** afspelen en opneem opties van Digitale TV kanalen gebruik makende van de optionele Digitale TV USB dongle\*\*.

*\*Check de verkrijgbaarheid van multicast UDP/RTP streams met uw internet provider.*

*\*\* Digitale TV USB dongle word niet meegeleverd, dit optioneel product dient apart aangekocht te worden.*

## Verpakkings inhoud



1. Dune HD TV-101 media speler  
2. Afstandsbediening (batterijen zijn wellicht niet toegevoegd)

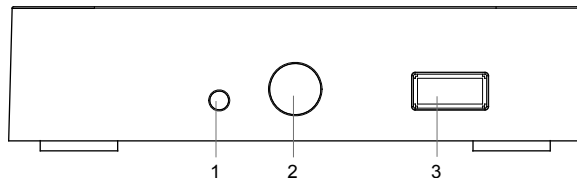
3. Wi-Fi antenne (optioneel)  
4. AV kabel (3.5mm minijack naar 3xRCA)

5. Externe stroom adapter  
6. Gebruikershandleiding

**OPMERKING:** *Additionele producten (optionele) zijn wellicht toegevoegd in de verpakking, afhankelijk van de speler configuratie, regio, en distributeur.*

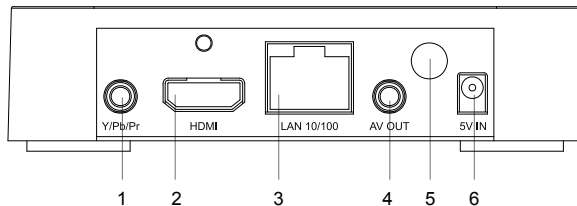
## Exterieur

### Vooraanzicht



1. LED indicatie
2. IR oog
3. USB 2.0 poort

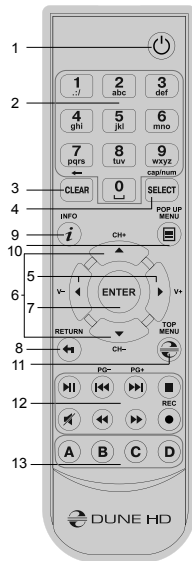
### Achteraanzicht



1. Component (Y/Pb/Pr) video output
2. HDMI 1.3 aansluiting
3. LAN – UTP aansluiting
4. 3.5mm minijack AV aansluiting
5. Wi-Fi antenne (optioneel)
6. DC stroom 5V aansluiting

## Afstandsbediening

- POWER** – activeer de standby modus.
- 0-9** – enter nummers en tekst, zap TV kanalen tijdens het TV kijken.
- CLEAR** – verwijder ingevoerde data, verwijder geselecteerde items.
- SELECT** (cap/num) – switch tekst invoer modus, selecteer verscheidene items, manage andere speler functies.
- RIGHT/LEFT (V+/V-)** – navigeer door het menu, verander het volume tijdens het afspelen.
- UP/DOWN (CH+/CH-)** – navigeer door het menu, verander TV kanalen tijdens het TV kijken.
- ENTER** – open/gebruik het geselecteerde item, bevestig de invoer, kijk het optie menu tijdens het afspelen, kijk het TV kanalen menu en de programmeringslijst tijdens het TV kijken.
- RETURN** – ga terug, cancel de opdracht.
- INFO** – laat informatie zien van het geselecteerde item of de huidige opdracht status.
- POP UP MENU** – laat het menu met opties zien voor het geselecteerde item of de huidige opdracht status.
- TOP MENU** – navigeer door het top menu van de speler, beheer andere speler functies.
- PLAY/PAUSE, STOP, PREV, NEXT, REW, FWD, REC, MUTE** – functie toetsen voor het afspelen van bestanden, programma's van de speler.
- A (Rood), B (Groen), C (Geel), D (Blauw)** – beheer verscheidene speler functies (uitgaande van de huidige opdracht).



**OPMERKING:**

- *Gebruik alkaline AAA batterijen.*
- *Bekijk de polariteit tijdens de installatie van de batterijen.*
- *Richt de afstandsbediening naar de speler. Er mogen geen obstakels zijn tussen de afstandsbediening en de speler.*
- *Als de afstandsbediening alleen nog op korte afstand van de speler reageert dient u de batterijen te vervangen.*
- *Sommige afstandsbediening knoppen kunnen verscheidene functies hebben gebaseerd op de huidige opdracht van de speler.*
- *Sommige afstandsbediening knoppen zullen alleen reageren tijdens bepaalde opdrachten of tijdens het afspelen van content.*

## In gebruik name

Zorg voor genoeg ruimte rondom de speler voor een goede koeling. De ruimte dient aan iedere zijde van de speler minimaal 10 cm te zijn.

Zorg dat de afstandsbediening batterijen bevat.

Sluit uw speler aan op uw TV en eventuele andere A/V apparaten op een adequate manier. Gebruik de HDMI verbinding voor de best mogelijke video- en audio kwaliteit. Zorg dat de speler en overige apparaten uitstaan voor u deze aan gaat sluiten. Zorg voor adequate verbindingen tussen de TV de speler en overige apparaten. Zet uw speler aan. De speler zal nu de initiële procedure laden welke ongeveer 1 minuut zal duren. Tijdens het laden van deze procedure zal het "DUNE" logo zichtbaar zijn op uw TV.

- Indien u het "DUNE" logo niet op uw TV ziet wanneer u de speler aan zet, dit kan duiden op een probleem van de verbinding tussen de speler en de TV of er is een verkeerde video ingang gekozen in de TV of A/V ontvanger/switch. In dit geval dient u alle verbindingen na te kijken en te verbeteren.
- Als u het "DUNE" logo op de TV ziet wanneer u de speler aan zet, maar dan verdwijnt het logo en geen ander beeld verschijnt in 10 seconden, dan kan het zijn dat er een verkeerde video uitgang ingesteld is in de speler. In deze situatie dient u de "**REC**" knop in te drukken en daarna drukt u op de knop "**1**", "**2**", "**3**", "**4**", of "**5**" in om naar een andere video uitgang over te gaan (zie ook "snelle instelling van Video Uitgang Modus")

Uiteindelijk zult u het hoofdscherm zien van het speler menu. Het hoofdscherm biedt u verschillende speler functies en toegang tot opslag apparaten en netwerk locaties welke op de speler aangesloten zijn.

Pas de speler instellingen aan gebruik makende van het "**SETUP**" icoon op het hoofdscherm van het speler menu.

Voornamelijk kunt u de video-, audio-, en netwerk instellingen aanpassen.

Om de taal aan te passen in het speler menu gebruik "Setup / General / Interface language" instellingen.

Gebruik de afstandsbediening knoppen "**LEFT**", "**RIGHT**", "**UP**", "**DOWN**", "**ENTER**", "**RETURN**" om door het speler menu te navigeren.

Gebruik de "POP UP MENU" knop om de lijst van beschikbare functies te zien. Gebruik de "**INFO**" knop om de informatie van het geselecteerde item te zien.

## Snelle instelling van de Video Uitgang Modus

Met de **“REC”** knop kunt u een snelle instelling van de video uitgang modus selecteren zonder naar het hoofdmenu te gaan.

Deze manier van uitgang configuratie kan nodig zijn wanneer u geen beeld ziet als uw speler op uw TV aangesloten is.

Druk op de **“REC”** knop en druk dan op de knop **“1”**, **“2”**, **“3”**, **“4”**, of **“5”** om een van de volgende video uitgang mogelijkheden te selecteren:

1. Composite PAL
2. Composite NTSC
3. HDMI, 480i, 60 Hz
4. HDMI, 720p, 60 Hz
5. HDMI, 1080i, 60 Hz

Nadat u beeld ziet op de TV drukt u op de **“ENTER”** knop, nu gaat u naar het hoofdmenu van de speler en kunt u de verdere instellingen selecteren.

**OPMERKING:** De procedure van een snelle instelling van de video uitgang kan niet worden ingesteld tijdens het afspelen. Om zeker te zijn dat u deze procedure wel kunt gebruiken, schakelt u de speler uit, schakel de speler aan en wacht 1 minuut totdat de software geladen is. Na het laden drukt u op de **“STOP”** knop en daarna op de **“REC”** knop.

## Aansluiting USB apparaten

Om een USB apparaat aan te sluiten zorgt u ervoor dat u in het hoofdmenu van de speler staat, nu kunt u een USB apparaat aansluiten op de USB poort van de speler. De speler zal het USB apparaat herkennen en zal het USB apparaat kenbaar maken in het hoofdmenu.

Wanneer u een USB apparaat aansluit welke meer stroom nodig heeft (zoals een externe HDD) zorgt u ervoor dat u een externe adapter aansluit aan het USB apparaat. De stroom welke onttrokken wordt van de USB poort kan wellicht niet genoeg zijn voor het USB apparaat.

Verwijder een USB apparaat niet wanneer deze operatief is op de speler.

## Toegang tot netwerklocaties

Om een netwerk locatie te benaderen met het SMB of NFS protocol zorgt u ervoor dat u in het hoofdmenu van de speler bent.

Druk op de **"MENU"** knop en kies voor "Create Network Folder" vul de parameters van de netwerk locatie in. De speler zal u een corresponderende netwerk locatie tonen op het hoofdmenu van de speler.

Om de lijst van de netwerk locatie te benaderen via SMB of UPnP protocol, gebruik het "Network Browser" icoon op het hoofdmenu van de speler.

**OPMERKING:** *Als sommige netwerk locaties niet getoond worden in de speler zult u een aantal minuten moeten wachten en zult u opnieuw moeten proberen met de **"MENU"** knop en dan kiest u voor "Refresh".*

## HDD Formatteren

Om een HDD te formatteren welke op de speler is aangesloten kunt u het HDD icoon selecteren in het hoofdmenu van de speler.

Druk op de **"INFO"** knop en kies "FORMAT DISK" (om te gehele schijf te formatteren) of "Format Partition" (om een bestaand deel op de schijf te formatteren). De speler zal de schijf formatteren. Om een niet geformatteerde HDD te formatteren hoeft u alleen maar de **"ENTER"** knop in te drukken op het HDD icoon.



**OPMERKING:** Om geformatteerde harde schijven te gebruiken op een Windows PC zult u additionele software op de PC moeten installeren zoals "EXT2FSD" (<http://www.ext2fsd.com/>).

## De media speler in- en uitschakelen

Om de speler in de standby modus te zetten, drukt u op de "POWER" knop. Om de standby modus uit te schakelen drukt u nogmaals op deze knop.

Gebaseerd op de speler instellingen (check het speler setup menu) kunt u de «hardware standby» of «software standby»

modus gebruiken. In de «hardware standby» modus zal bijna de gehele stroom voorziening uitgeschakeld zijn en zal de speler bijna geen stroom verbruiken. In de «software standby» modus produceert de speler een signaal naar de video uitgang maar zal hij nog wel functioneren. Bijvoorbeeld, als u opslag apparaten aangesloten heeft op de speler kunt u deze nog steeds inzien en bewerken op uw netwerk («NAS» functie van de speler). Uit de «software standby» modus gaan duurt een paar seconden. Wanneer de speler in de «software standby» modus staat zal deze nog normaal stroom verbruiken. Het is niet aanbevolen om de speler in de «software standby» modus te laten staan wanneer u de speler niet gebruikt.

Om de speler volledig uit te zetten dient u de stroom adapter los te koppelen.

**OPMERKING:** Na het volledig uitzetten van de speler of de speler in de «hardware standby» modus te zetten is het aanbevolen 1 minuut te wachten voordat u de speler opnieuw aanzet.

## NAS (Network Attached Storage)

U kunt opslag apparaten welke op de speler aangesloten zijn benaderen via het lokale netwerk gebruik makende van FTP of SMB protocols. Op een Windows PC hoeft u alleen maar het volgende in te typen: «ftp://ip\_address» of «\\ip\_address» in Windows explorer, waar «ip\_address» het IP is, het adres van de speler.

## WiFi

Als uw speler geen ingebouwde WiFi adapter/antenne bevat kunt u een optionele USB WiFi adapter gebruiken om de speler aan te sluiten op het lokale netwerk via WiFi.

Hier vindt u een lijst van ondersteunende USB WiFi adapters: [http://dune-hd.com/support/hw\\_compat/](http://dune-hd.com/support/hw_compat/)

## Beperkingen

Compatibiliteit van de speler met bepaalde hardware (A/V apparaten, netwerk apparaten, harde schijven etc.) kan afhangen van verscheidene factoren (hardware model, specifieke hardware installatie en gebruik, configuratie van de speler en de hardware etc.) Als de speler niet correct werkt met bepaalde hardware, probeer dan de configuratie van de speler of hardware aan te passen of probeer andere hardware te gebruiken. Compatibiliteit van de speler met bepaalde media content (bestanden, discs etc.) kan afhangen van verscheidene factoren (specifieke media content codering, specifieke configuratie van de speler etc.)

Als de speler niet correct een bepaalde media content afspeelt probeer dan de configuratie van de speler aan te passen of het media content op een andere manier te coderen.

## Uw speler updaten en meer informatie inwinnen

U kunt hier verschillende bijgewerkte versies van de speler firmware vinden (welke de functionaliteit van uw speler verbeteren en de mogelijkheden verbreden): <http://dune-hd.com/firmware/>

(Opmerking: U kunt uw speler aansluiten op het internet en de online firmware upgrade activeren in het menu van de speler, kijk bij Setup/Misc/Firmware Upgrade.)

Meer gedetailleerde en up-to-date documentatie en informatie voor het gebruik van de speler kunt u hier vinden:

<http://dune-hd.com/manuals/>

<http://dune-hd.com/support/>



## Introducción

Dune HD TV-101 es un reproductor de video Full HD (1080p) todo en uno.

## Características principales

- **El nuevo procesador Sigma Designs 8670/8671:** disfruta de una excelente reproducción y rendimiento de sus características interactivas.
- **HDD player:** Conecta cualquier disco duro en el reproductor para reproducir el contenido directamente.
- **Network player:** Conecta el reproductor a una red local y reproduce contenido directamente desde PC o NAS (UPnP, SMB, NFS).
- **MKV player:** Reproduce HD y SD en un formato popular MKV y otros formatos de archivo de vídeo modernas, incluyendo la de más alta calidad de vídeo HD con velocidad de bits muy alto.
- **Puerto USB:** conectar convenientemente discos duros, unidades flash USB, lectores de tarjetas USB y otros dispositivos de almacenamiento USB.
- **HDMI 1.3:** garantiza la mejor calidad de video HD y audio HD posible.
- **Video output flexibility:** salida de vídeo en cualquier resolución formato ( desde SD de hasta 1080p,24p/PAL/NTSC).
- **Upscaling:** ampliación de la escala de alta calidad de DVD y cualquier otro contenido de video SD a Full HD (1080p) o HD de resolución.
- **Explorador de archivos:** explorador potente gestión de archivos (copiar, mover, borrar, renombrar, organizar, ordenar).

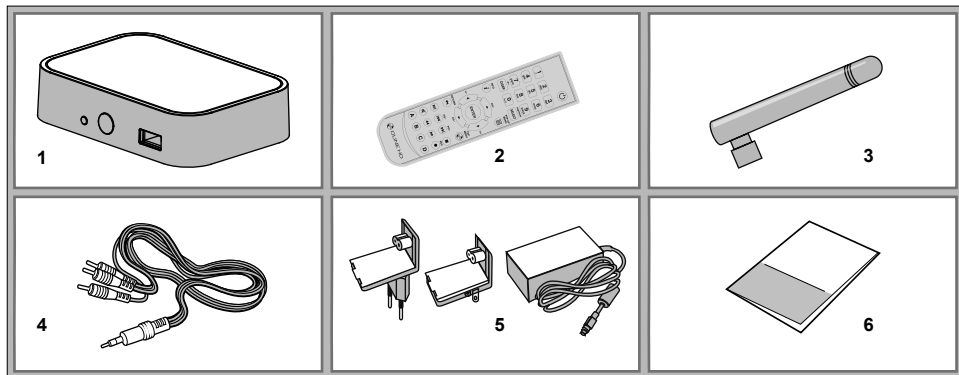
## Funciones Extra

- **Reproducción de música de alta calidad:** El reproductor de muy alta calidad (hasta 192 kHz / 24-bit) reproduce archivos de música en varios formatos (FLAC, APE Monkey Audio, WAV / PCM, DTS, etc).
- **Listas de reproducción:** Crear listas de reproducción de las carpetas, usar sus propias listas de reproducción, el uso repetido y las funciones de reproducción aleatoria.
- **Función NAS:** Accede a los archivos en dispositivos de almacenamiento (disco duro, unidad óptica, etc) conectado al reproductor desde la red local (mediante SMB o FTP).
- **BitTorrent:** El uso incorporado en el cliente BitTorrent para descargar archivos desde redes P2P
- **Interfaz de usuario personalizable:** trabajar con colecciones de archivos multimedia viendo miniaturas de la carátula en HD (con gráficos en alta definición completa).
- **Radio por Internet:** reproducción y grabación de varias estaciones de radio por Internet (formatos HTTP/MP3 y otros).
- **IPTV:** Reproduce y graba streams IPTV (multicast UDP/RTP) desde tu proveedor de Internet (consulta disponibilidad de multicast UDP/RTP streams con tu proveedor de Internet)\*.
- **Opción de televisión digital:** Reproduce y graba canales de televisión digital usando un dispositivo opcional USB de televisión digital. (USB TV Digital no incluido; esta opción puede ser adquirida por separado)\*\*.

\* Consultar disponibilidad de multidifusión UDP / RTP con su proveedor de Internet.

\*\* El adaptador USB TV Digital dongle no está incluido; esta opción se puede adquirir por separado.

## Contenido del paquete



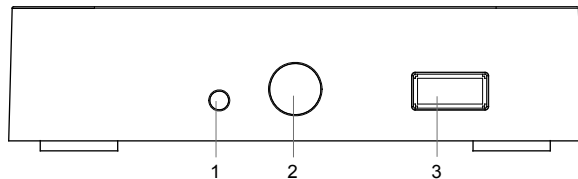
1. Reproductor multimedia Dune HD TV-101
2. Control remoto (pilas no incluidas)
3. Antena Wi-Fi ( Opcional )

4. Cable AV (3.5mm minijack to 3xRCA)
5. Fuente de alimentación externa
6. Guía de inicio rápido

**NOTA:** Los elementos adicionales (opcional) pueden ser incluidos en el paquete, dependiendo de la configuración del reproductor, la región, y el distribuidor.

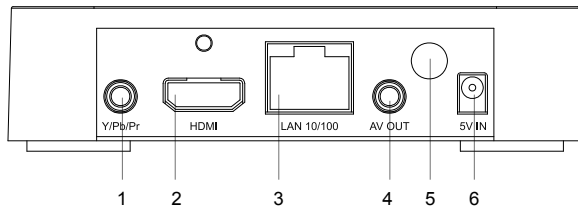
## Exterior

### Vista frontal



1. Indicador LED
2. Infrarrojos
3. Puerto USB 2.0

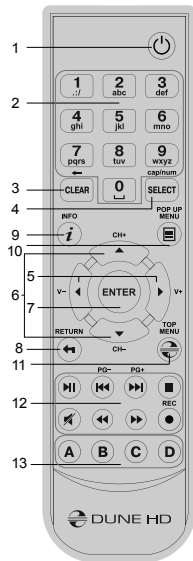
### Vista trasera



1. Salida de vídeo por componente (Y / Pb / Pr)
2. HDMI 1.3
3. LAN
4. Salida AV minijack de 3.5mm
5. Antena Wifi ( opcional )
6. Alimentación de 5V

## Control Remoto

- POWER** – cambiar el modo de espera
- 0-9** — Introducir números y texto, cambiar los canales de televisión mientras se ve la televisión
- CLEAR** — borrar los datos introducidos, borrar los elementos seleccionados.
- SELECT. (cap / num)** — cambiar los modos de entrada de texto, seleccionar varios elementos, el control de algunas funciones de otro jugador.
- RIGHT/LEFT (V+/V-)** — para navegar por el menú , ajustar el volumen durante la reproducción
- UP/DOWN (CH+/CH-)** — navegar por el menú , cambiar de canal durante la reproducción
- ENTER** – abrir/usar los elementos seleccionados, confirmar el acceso a dichos elementos, muestra el menú OSD y la guía electrónica de programación durante la reproducción.
- RETURN** — Volver atrás, cancelar la acción.
- INFO** — Muestra la información sobre el elemento seleccionado o el estado actual del reproductor
- POP UP MENU** — mostrará un menú con las posibles acciones para el elemento seleccionado o el estado actual del reproductor.
- TOP MENU** — navegar por el menú superior del reproductor, el control de algunas funciones del reproductor.





**12. PLAY/PAUSE, STOP, PREV, NEXT, REW, FWD, REC, MUTE** — controla la reproducción y algunas funciones del reproductor.

**13. A (Red), B (Green), C (Yellow), D (Blue)** — controla varias funciones del reproductor ( dependiendo del contexto)

**Notas:**

- *Usa pilas alcalinas AAA*
- *Fíjese en la polaridad de las pilas al insertarlas*
- *Apunte el control remoto directamente al reproductor. No debe haber ningún obstáculo entre el control remoto y el reproductor*
- *Si el control remoto solo funciona en distancias cortas o deja de funcionar, asegúrese de reemplazar las pilas alcalinas*
- *Algunos botones del control remoto pueden tener diferentes funciones dependiendo del modo en el que se encuentre el reproductor.*
- *Algunos botones del control remoto pueden estar disponibles sólo en ciertos modos del reproductor o sólo durante la reproducción de un determinado contenido.*

## Primeros pasos

Asegúrese de que haya suficiente espacio alrededor del sistema para una refrigeración adecuada. El espacio de cada lado no debe ser inferior a 10 cm.

Asegúrese de que el control remoto tiene las pilas correctamente colocadas

Conecte el reproductor a su TV y a otros equipos de Audio y video de manera apropiada. Utilizar la conexión HDMI para obtener la mejor calidad posible de vídeo y audio. Asegúrese de apagar el reproductor y todos los equipos relevantes de A / V antes de conectarlos. Asegúrese que su TV y otros equipos de A/V están conectados de forma adecuada. El reproductor llevará a cabo su proceso de carga inicial, que puede tardar hasta 1 minuto. Durante el procedimiento de carga, el logo "DUNE" aparecerá en la TV.

- Si usted no ve el logo "DUNE" en la TV cuando conecte el reproductor, puede ser problema de la conexión entre el reproductor y la TV o que haya errado en la colocación de los cables en la TV o el receptor A/V. En tal caso, vuelva a comprobar los cables y la configuración de la TV o receptor A/V, o trate de utilizar cables diferentes o de una manera diferente de conectar el reproductor a la TV.
- Si ve el logo «DUNE» en el televisor cuando se enciende el reproductor, pero luego la imagen desaparece y ninguna otra imagen aparece durante al menos 10 segundos, esto puede significar que un modo de salida de video está mal configurado en el reproductor. En tal caso, pulse el botón «**REC**» en el control remoto y a continuación, pulse uno de los botones de «**1**», «**2**», «**3**», «**4**» o «**5**» para cambiar a un modo de vídeo de salida (ver «Configuración rápida del modo de salida de vídeo»). Por último, debería ver la pantalla principal del menú del reproductor. La pantalla principal muestra los elementos que permite utilizar las diferentes funciones del reproductor y acceso a todos los dispositivos de almacenamiento y unidades de red conectadas al reproductor.

Ajustar la configuración del reproductor, según sea necesario el uso de «Configuración» en la pantalla principal del menú del reproductor. En particular, es posible que desee ajustar la configuración de vídeo, ajustes de audio, y la configuración de la red.

Para elegir el idioma de menú del reproductor, ha de seleccionar **“Setup / General / Interface language”**

Utilice los botones del control remoto **«LEFT»**, **«RIGHT»**, **«UP»**, **«DOWN»**, **«ENTER»**, **«RETURN»** para navegar por el menú del reproductor. Utilice la opción **«POP UP MENU»** del control remoto para mostrar la lista de comandos disponibles. Utilice el botón **«INFO»** del control remoto para mostrar la información sobre el elemento seleccionado.

## Configuración rápida del modo de salida de vídeo

El botón **“REC”** del control remoto permite una rápida selección de modo de salida de vídeo sin entrar en el menú de configuración del reproductor. Esta forma de configuración de salida de vídeo puede ser necesaria si usted no ve ninguna imagen en la pantalla después de conectar el reproductor a un televisor.

Pulse el botón **“REC”** en el control remoto y luego uno de los botones **“1”**, **“2”**, **“3”**, **“4”**, o **“5”** para cambiar a uno de los modos de salida de vídeo siguientes, respectivamente:

1. Composite PAL
2. Composite NTSC
3. HDMI, 480i, 60Hz
4. HDMI, 720p, 60Hz
5. HDMI, 1080i, 60 Hz

Después de ver una imagen en el televisor, presione el botón **“ENTER”** del control remoto, y luego vaya al menú de configuración del reproductor para realizar una configuración más precisa del modo de salida de vídeo si es necesario.

**NOTA:** El procedimiento de ajuste rápido del modo de salida de vídeo no se puede utilizar durante la reproducción y en algunos otros casos. Para garantizar este procedimiento puede apagar el reproductor, luego encenderlo, y esperar 1 minuto para asegurar que la carga del reproductor haya terminado. Después de eso presione **«STOP»** botón de control remoto para garantizar la reproducción se detiene. A continuación, utilice el botón **«REC»** del control remoto.

## Conectar memorias USB

Para conectar una unidad USB, asegúrese de que está en la pantalla principal del menú del reproductor y conecte la unidad USB a un puerto USB del reproductor. Este reconocerá la unidad USB, y puede mostrar un elemento que corresponde a la unidad USB en la pantalla principal. Al conectar un dispositivo USB que requiere mucha alimentación (como USB HDD), use una fuente de alimentación externa para la unidad USB. La alimentación a través de los puertos USB del reproductor puede no ser suficiente para el correcto funcionamiento de la unidad USB. No desconecte o apague la unidad USB cuando alguna operación de escritura está en curso.

## Acceso a unidades de red

Para conectar una unidad de red mediante los protocolos SMB o NFS, asegúrese de que está en la pantalla principal del menú del reproductor, pulse el botón **“MENU”** en el control remoto y seleccione **“Crear una carpeta de red”**, luego rellene los parámetros de la unidad de red según sea necesario. El reproductor mostrará un ítem que corresponde a la unidad de red configurados en la pantalla principal.

Para ver la lista de recursos de la red accesible a través de los protocolos SMB o UPnP, usa la opción **“Navegador de red”** que es un elemento de la pantalla principal del menú del reproductor.

**NOTA:** Si alguna red no es encontrada por el reproductor, espere unos minutos y luego vuelva a intentarlo ( o pulse el botón **“MENU”** del control remoto y elija el comando **“Refresh”**).

## Formatear el disco duro HDD

Para formatear un disco duro conectado al reproductor, seleccione el elemento de disco duro en la pantalla principal del menú del reproductor, pulse **“INFO”** en el control remoto y elija la opción **“format disk”** ( para formatear todo el disco duro ) o **“format partition”** ( para formatear solo una partición ya existente en el disco ). El reproductor formateará el disco. Para formatear un disco duro sin formato, pulse **“ENTER”** en el control remoto sobre el ítem del disco duro HDD.

**NOTA:** Para utilizar discos formateados por el reproductor en un PC Windows, probablemente necesite un software adicional en su PC, tal como **“EXT2FSD”** (<http://www.ext2fsd.com/>).

## Cambiar el reproductor a modo ON y OFF

Para poner el reproductor en el modo standby, pulse la tecla «**Power**» botón del control remoto. Para salir del modo de espera, pulse este botón otra vez.

Dependiendo de la configuración del reproductor (ver el menú de configuración del reproductor), se puede utilizar el modo «hardware standby» o «software standby». En el modo de «hardware standby», se apaga casi por completo el reproductor y consume muy poca energía. En el modo de «software standby», el reproductor no produce la señal en la salida de vídeo, pero está funcionando todavía. Por ejemplo, si usted tiene algunos dispositivos de almacenamiento conectados al reproductor, es posible acceder a ellas desde la red («NAS» la función del reproductor). El salir del modo «software standby» toma apenas unos segundos. Cuando el reproductor está en el modo de «software standby», se sigue consumiendo una cantidad de energía significativa. No es recomendable mantener el reproductor en el «modo software standby» por un tiempo prolongado si no lo necesita. Para apagar por completo el reproductor, desconecte el cable de alimentación.

**NOTA:** Después de apagar completamente el reproductor o ponerlo en el modo “hardware standby” es recomendable esperar 1 minuto antes de encenderlo otra vez.

## NAS (almacenamiento en red)

Se puede acceder a dispositivos de almacenamiento conectados al reproductor desde la red local utilizando protocolos FTP y SMB. En un PC Windows, solo marque en el explorador de internet «ftp://ip\_address» o «\\ip\_address» donde «ip\_address» es la dirección IP del reproductor.

## WiFi

Si su reproductor no incluye un adaptador incorporado WiFi, puede utilizar un adaptador USB WiFi para conectar el reproductor a la red local a través de WiFi.

Por favor, mire aquí la información sobre los adaptadores USB WiFi que son compatibles:

[http://dune-hd.com/support/hw\\_compat/](http://dune-hd.com/support/hw_compat/)

## Limitaciones

La compatibilidad del reproductor con hardwares en particulares (A / V, equipos de red, discos duros, etc) puede depender de varios factores (modelo de hardware en particular, detalles de instalación del hardware y el uso, la configuración del reproductor y el hardware, etc.) Si el reproductor no trabaja correctamente con un hardware en particular, trate de ajustar la configuración del reproductor o del hardware, trate de usar el hardware de una manera diferente, o incluso de utilizar algún otro hardware. La compatibilidad del reproductor con un determinado contenido multimedia (archivos, discos, etc) puede depender de varios factores (específicos de codificación de contenido multimedia, detalles de la configuración del reproductor, etc.) Si el reproductor no reproduce correctamente un contenido en multimedia en particular, trate de ajustar la configuración del reproductor, o trate de codificar el contenido multimedia de una manera diferente.

Actualice su reproductor y obtenga más información.

Por favor, haga click aquí para obtener versiones actualizadas del firmware del reproductor (que puede mejorar el funcionamiento de su reproductor y ampliar las posibilidades del mismo):

<http://dune-hd.com/firmware/>

(Nota: También puede conectar el reproductor a Internet y utilizar la función de actualización de firmware en línea, consulte Configuración / Varios / Actualización del firmware)

Por favor, haga click aquí abajo para una documentación más detallada y actualizada sobre el uso del reproductor:

<http://dune-hd.com/manuals/>

<http://dune-hd.com/support/>



## Введение

Dune HD TV-101 представляет собой решение «все-в-одном» для воспроизведения видео вплоть до Full HD (1080p).

## Основные особенности

- **Новейший процессор Sigma Designs 8670/8671:** обеспечивает отличное воспроизведение и высокую скорость работы с интерактивными возможностями.
- **Сетевой проигрыватель:** подключение проигрывателя к локальной сети и воспроизведение содержимого напрямую с ПК или NAS (UPnP, SMB, NFS).
- **Проигрывание с жесткого диска:** подключение жесткого диска к проигрывателю и воспроизведение содержимого непосредственно с этого диска.
- **Проигрывание MKV:** воспроизведение HD и SD видео в популярном формате MKV, а также в других современных форматах видеофайлов, включая HD-видео высочайшего качества с очень высоким битрейтом
- **USB-порт:** удобное подключение жестких дисков, накопителей USB-Flash, кард-ридеров и других USB-устройств хранения данных.
- **HDMI 1.3:** обеспечивает наилучшее качество HD-видео и HD-аудио.
- **Гибкая система вывода видео:** вывод видео в любом разрешении и формате (от SD до 1080p, 24p/PAL/NTSC).



- **Увеличение разрешения (upscaling):** высококачественное повышение разрешения DVD и любых других SD-видеоматериалов до Full HD (1080p) или другого HD-разрешения.
- **Файловый браузер:** удобный файловый браузер с развитыми возможностями манипуляции файлами (копирование, перемещение, удаление, переименование, организация, сортировка).

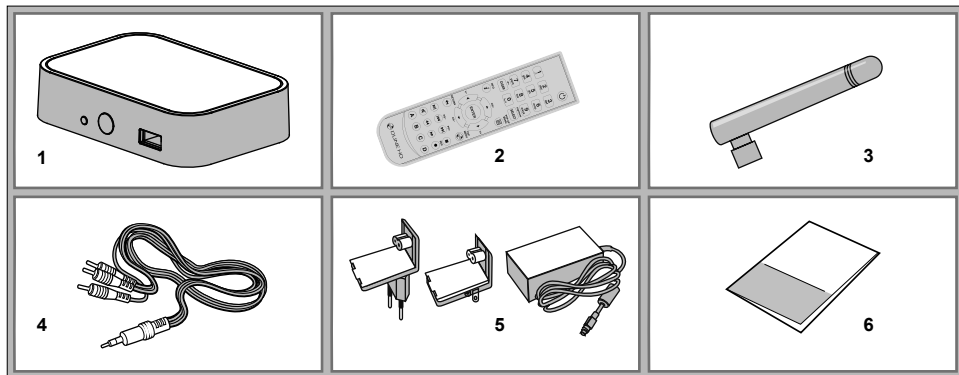
## Дополнительные функции

- **Воспроизведение аудиофайлов с наивысшим качеством:** до 192 КГц / 24-бит, в форматах FLAC, Monkey's Audio APE, WAV/PCM, DTS и других.
- **Плейлисты:** создание плейлистов из папок, использование собственных плейлистов, функции повтора и случайного воспроизведения.
- **Функция NAS:** доступ к файлам на накопителях (HDD, оптический привод, и т.п.), подключенных к плееру, из локальной сети (посредством SMB или FTP).
- **BitTorrent:** загрузка файлов из P2P-сетей с использованием встроенного в плеер BitTorrent-клиента.
- **Настраиваемый пользовательский интерфейс:** поддержка медиакolleкций с показом обложек и значков (с графикой Full HD).
- **Интернет-радио:** воспроизведение и запись различных интернет-радиостанций (HTTP/MP3 и в других форматах).
- **IPTV:** воспроизведение и запись IPTV-потокa (multicast UDP/RTP) от интернет-провайдера\*.
- **Опция Digital TV:** воспроизведение и запись каналов цифрового телевидения посредством опционального USB-модуля Digital TV\*\*.

\* Узнавайте о наличии multicast UDP/RTP потоков у интернет-провайдера.

\*\* USB-модуль Digital TV не входит в комплект поставки; данное устройство приобретается отдельно.

## Содержимое коробки



1. Проигрыватель Dune HD TV-101
2. Пульт управления (батарейки могут не входить в комплект)

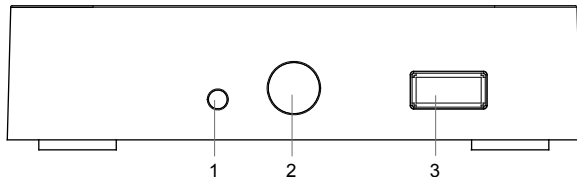
3. Wi-Fi антенна (опционально)
4. Аудио-видеокабель

5. Внешний блок питания
6. Краткое руководство

**ПРИМЕЧАНИЕ:** Другие аксессуары (опционально) могут дополнительно включаться в комплект поставки в зависимости от конфигурации проигрывателя, региона и дистрибьютора.

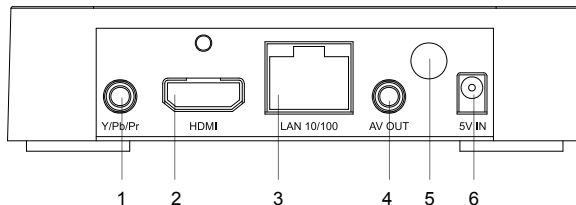
## Внешний вид

### Вид спереди



1. LED-индикатор
2. ИК-приёмник
3. Порт USB 2.0 host

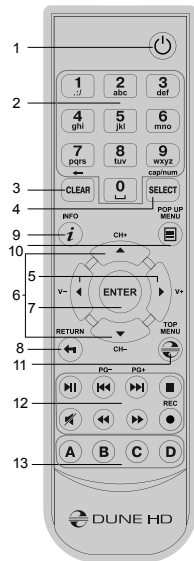
### Вид сзади



1. Компонентный выход
2. Выход HDMI 1.3
3. Порт LAN
4. Аудио-видео выход (3.5 мм minijack)
5. Wi-Fi антенна (опционально)
6. Разъём питания (5 В)

## Пульт управления

1. **POWER** — перевод проигрывателя в/из режима ожидания.
2. **0–9** — ввод цифр и текста; переключение каналов при просмотре ТВ.
3. **CLEAR** – удаление введённых данных, удаление выбранных объектов.
4. **SELECT (cap/num)** – переключение режимов ввода текста, выделение объектов, управление некоторыми другими функциями плеера.
5. **RIGHT/LEFT (V+/V-)** – навигация по экранному меню, регулировка громкости при воспроизведении.
6. **UP/DOWN (CH+/CH-)** – навигация по экранному меню, переключение телеканалов при просмотре ТВ.
7. **ENTER** – открытие/использование выбранного пункта в меню, подтверждение ввода информации, вывод OSD-меню в режиме воспроизведения, вывод меню каналов и программы (EPG) при просмотре ТВ.
8. **RETURN** – возврат, отмена операции.
9. **INFO** – вывод информации о выбранном объекте или текущем состоянии плеера.
10. **POP UP MENU** – вывод меню выбора возможных операций для выбранного объекта.
11. **TOP MENU** – переход в главное меню плеера, управление некоторыми другими функциями плеера.



- 12. PLAY/PAUSE, STOP, PREV, NEXT, REW, FWD, REC, MUTEPLAY, PAUSE, STOP, SLOW, REW, FWD, PREV, NEXT** — управление ходом воспроизведения и некоторыми другими функциями плеера.
- 13. А (красная), В (зелёная), С (жёлтая), D (голубая)** – управление определёнными функциями плеера (в зависимости от ситуации).

**ПРИМЕЧАНИЯ:**

- *Используйте щелочные (alkaline) батарейки типа AAA.*
- *Соблюдайте полярность при установке батареек.*
- *Направляйте пульт на проигрыватель. Между пультом и проигрывателем не должно быть препятствий.*
- *Если пульт работает только с небольшого расстояния, замените батарейки.*
- *Некоторые кнопки пульта могут иметь несколько значений в зависимости от режима работы проигрывателя.*
- *Некоторые кнопки пульта могут работать только в некоторых режимах работы проигрывателя или при воспроизведении материалов определенного типа.*

## Начало работы

Убедитесь, что вокруг проигрывателя достаточно места для хорошего охлаждения. Пространство с каждой стороны должно быть не менее 10 см.

Убедитесь, что в пульт вставлены батарейки.

Подключите проигрыватель к телевизору и другому аудио-видеооборудованию должным образом. Используйте HDMI-подключение для получения максимального качества видео и звука. Убедитесь, что проигрыватель и все соответствующее аудио-видеооборудование выключено при проведении подключений. Убедитесь, что телевизор и прочее аудио-видеооборудование настроено на использование нужных входов.

Включите проигрыватель. Он проведет процедуру первоначального запуска, которая займет около минуты. Во время этой процедуры на экране телевизора будет показан логотип «DUNE».

- Если вы не видите логотипа «DUNE» на экране телевизора после включения проигрывателя, это может означать проблему соединения проигрывателя и телевизора, а также выбор неправильного видеовхода в телевизоре или аудио-видеоресивере/разветвителе. В этом случае, перепроверьте кабели и настройки телевизора или аудио-видеоресивера/разветвителя, или используйте другие кабели или другой способ подключения к телевизору.
- Если вы видите логотип «DUNE» на экране телевизора после включения проигрывателя, но затем изображение исчезает и ничего не появляется в течение хотя бы 10 секунд, это может означать, что в проигрывателе выбран неверный видеорежим. В этом случае, нажмите кнопку пульта **«REC»**, а затем одну из кнопок **«1»**, **«2»**, **«3»**, **«4»** или **«5»** для включения другого видеорежима (см. "Быстрое изменение видеорежима").

В результате, вы должны увидеть главный экран меню проигрывателя. На главном экране показаны элементы, предоставляющие доступ к основным функциям проигрывателя и к содержимому всех подключенных к проигрывателю накопителей и сетевых дисков.

Настройки проигрывателя можно изменить, воспользовавшись элементом «Настройки» на главном экране меню проигрывателя. В частности, можно настроить параметры воспроизведения видео и аудио, а также параметры подключения к сети.

Для выбора языка меню проигрывателя, используйте настройку “Setup / General / Interface language”.

Используйте кнопки пульта «ВЛЕВО», «ВПРАВО», «ВВЕРХ», «ВНИЗ», «ENTER», «RETURN» для управления меню проигрывателя. Кнопка пульта «POP UP MENU» предназначена для показа списка доступных команд. Кнопка пульта «INFO» выводит информацию о выбранном элементе.

## Быстрое изменение видеорежима

Кнопка пульта «REC» позволяет быстро настроить видеорежим видеовыхода без входа в меню настроек проигрывателя. Этот способ может понадобиться, если вы не видите изображение на экране после подключения проигрывателя к телевизору.

Нажмите кнопку пульта «REC» и затем одну из кнопок «1», «2», «3», «4» или «5» для включения одного из следующих видеорежимов:

1. Композитный PAL
2. Композитный NTSC
3. HDMI, 480i, 60 Гц
4. HDMI, 720p, 60 Гц
5. HDMI, 1080i, 60 Гц

После того, как изображение на экране появилось, нажмите «ENTER», а затем зайдите в меню настроек проигрывателя для более детальной настройки видеорежима, если это необходимо.

**ПРИМЕЧАНИЕ:** Процедура быстрого изменения видеорежима недоступна во время воспроизведения, а также в некоторых других режимах работы устройства. Для того, чтобы гарантированно выполнить эту процедуру, выключите проигрыватель, затем включите его снова и подождите около одной минуты для того, чтобы он успел провести процедуру начальной загрузки. После этого нажмите кнопку пульта «STOP» для того, чтобы гарантированно выйти из режима воспроизведения. Затем уже используйте кнопку пульта «REC».

## Подключение USB-накопителей

Для подключения USB-накопителя убедитесь, что вы находитесь на главном экране меню проигрывателя, подключите USB-накопитель к одному из USB-портов. Проигрыватель распознает накопитель, и на главном экране появится соответствующий элемент. При подключении USB-накопителя, которому требуется существенная мощность по питанию (например, жесткий диск), используйте внешний блок питания для USB-накопителя. Питание, которое предоставляет проигрыватель для USB-портов, может оказаться недостаточным для корректного функционирования USB-диска. Не отсоединяйте и не выключайте USB-накопитель во время операций записи на него.

## Доступ к сетевым дискам

Для подключения сетевого диска по протоколу SMB или NFS, убедитесь, что вы находитесь на главном экране меню проигрывателя, нажмите кнопку пульта **«MENU»** и выберите пункт «Создать сетевую папку», затем введите требуемые параметры сетевого диска. Проигрыватель будет показывать элемент, соответствующий этому сетевому диску, на главном экране. Для просмотра списка доступных сетевых ресурсов по протоколу SMB или UPnP, воспользуйтесь элементом «Браузер сети» на главном экране меню проигрывателя.

***ПРИМЕЧАНИЕ:** Если какие-то сетевые ресурсы не показываются проигрывателем, может потребоваться подождать несколько минут и повторить попытку (либо нажать кнопку пульта **«MENU»** и выбрать команду «Обновить»).*

## Форматирование жесткого диска

Для форматирования подключенного к проигрывателю HDD выберите иконку HDD в главном меню проигрывателя, нажмите кнопку **«INFO»** на ПДУ и выберите элемент «Форматирование диска» (для того, чтобы отформатировать весь диск) или «Форматирование раздела» (чтобы отформатировать уже существующий раздел). Проигрыватель произведет форматирование. Для форматирования не форматированного ранее диска, нажмите кнопку **«ENTER»** на пульте, предварительно выбрав иконку HDD в меню плеера.



**ПРИМЕЧАНИЕ:** Для использования дисков, отформатированных проигрывателем, на компьютере с Windows, может потребоваться установка на компьютер дополнительного программного обеспечения, например, такого, как "EXT2FSD" (<http://www.ext2fsd.com/>).

## Включение и выключение проигрывателя

Для перевода проигрывателя в режим ожидания, нажмите кнопку пульта **«POWER»**. Для выхода из режима ожидания нажмите эту кнопку еще раз.

В зависимости от настроек проигрывателя (см. меню настроек плеера), может быть использован режим «аппаратного ожидания» или «программного ожидания». В режиме «аппаратного ожидания» питание проигрывателя почти полностью отключено и проигрыватель почти не потребляет электроэнергию. В режиме «программного ожидания» проигрыватель не выдает сигнал на видеовыход, но продолжает функционировать. Например, если к нему подключены накопители, они по-прежнему будут доступны из сети (функция «NAS» проигрывателя). Выход из режима ожидания занимает всего несколько секунд. Когда проигрыватель находится в режиме «программного ожидания», он по-прежнему потребляет значительное количество электроэнергии. Не рекомендуется надолго оставлять проигрыватель в режиме «программного ожидания» без необходимости. Для полного отключения плеера, отсоедините кабель питания.

**ПРИМЕЧАНИЕ:** После полного выключения проигрывателя или перевода проигрывателя в режим «аппаратного ожидания», рекомендуется подождать около 1 минуты перед повторным включением.

## NAS (Network Attached Storage)

Можно получить доступ к накопителям, подключенным к проигрывателю, из локальной сети по протоколам FTP и SMB. На компьютере с Windows просто наберите «ftp://ip\_address» или «\\ip\_address» в Проводнике (Windows Explorer), где «ip\_address» — IP-адрес проигрывателя.

## WiFi

Если ваш плеер не оснащён встроенным адаптером Wi-Fi, вы можете использовать WiFi-адаптер, подключаемый по USB, для подключения проигрывателя к беспроводной (WiFi) локальной сети. За информацией о поддерживаемых USB-WiFi-адаптерах обращайтесь на страницу: [http://dune-hd.com/support/hw\\_compat/](http://dune-hd.com/support/hw_compat/)

## Ограничения

Совместимость проигрывателя с конкретным оборудованием (аудио-видеооборудование, сетевое оборудование, накопители и т.п.) может зависеть от различных факторов (конкретной модели оборудования, особенностей аппаратной инсталляции и ее использования, настроек проигрывателя и оборудования, и т.п.). Если проигрыватель не работает корректно с некоторым оборудованием, попытайтесь изменить конфигурацию проигрывателя или оборудования, попробуйте использовать оборудование другим образом, либо использовать другое оборудование.

Совместимость проигрывателя с конкретным видом медиаматериалов (файлы, диски и т.п.) может зависеть от различных факторов (особенности кодирования медиаматериалов, особенности настроек проигрывателя и т.п.). Если проигрыватель не воспроизводит корректно некоторые медиаматериалы, попробуйте изменить настройки проигрывателя или использовать медиаматериалы, закодированные в отличном формате.

## Обновление плеера и доп. информация

Пожалуйста, проверяйте доступность обновления программного обеспечения проигрывателя («прошивки») на следующей интернет-странице (это может улучшить функциональность проигрывателя и расширить его возможности): <http://dune-hd.com/firmware/>

*(Замечание: Вы также можете подключить плеер к интернет и воспользоваться функцией онлайн-обновления прошивки, см. Настройки / Разное / Обновление Прошивки.)*

Пожалуйста, обращайтесь к следующим интернет-страницам для получения более подробной и актуальной документации и информации об использовании проигрывателя:

<http://dune-hd.com/manuals/>

<http://dune-hd.com/support/>

## Введення

Dune HD TV-101 представляє собою рішення «все-в-одному» для відтворення відео аж до Full HD (1080p).

## Основні особливості

- **Новітній процесор Sigma Designs 8670/8671:** забезпечує відмінне відтворення та високу швидкість роботи з інтерактивними можливостями.
- **Мережевий програвач:** підключення програвача до локальної мережі та відтворення вмісту безпосередньо з ПК чи NAS (UPnP, SMB, NFS).
- **Програвання з жорсткого диску:** підключення жорсткого диску до програвача та відтворення вмісту безпосередньо з цього диску.
- **Програвання MKV:** відтворення HD та SD відео в популярному форматі MKV, а також в інших сучасних форматах відео файлів, включаючи HD-відео найвищої якості з дуже високим бітрейтом.
- **USB-порт:** зручне підключення жорстких дисків, накопичувачів USB-Flash, карт-рідерів та інших USB-пристроїв зберігання даних.
- **HDMI 1.3:** забезпечує найкращу якість HD-відео та HD-аудіо.
- нучка система виводу відео: вивід відео в будь-якій роздільності та форматі (від SD до 1080p, 24p/PAL/NTSC).
- **Збільшення роздільності (upscaling):** високоякісне підвищення роздільності DVD та будь-яких інших SD-відео матеріалів до Full HD (1080p) чи іншої HD-роздільності.
- **Файловий браузер:** зручний файловий браузер з розвинутими можливостями маніпуляції файлами (копіювання, переміщення, видалення, перейменування, організація, сортування).

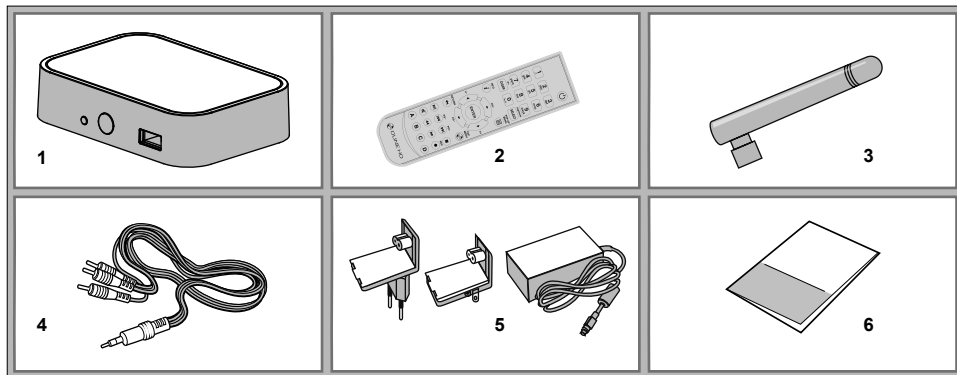
## Додаткові функції

- **Відтворення аудіо файлів з найвищою якістю:** до 192 КГц/24-біт, в форматах FLAC, Monkey's Audio APE, WAV/PCM, DTS та інших.
- **Плейлист:** створення плейлистів із папок, використання власних плейлистів, функції повтору та випадкового відтворення.
- **Функція NAS:** доступ до файлів на накопичувачах (HDD, оптичний привід, та інше), підключених до плеєру, з локальної мережі (за допомогою SMB чи FTP).
- **BitTorrent:** завантаження файлів з P2P-мереж з використанням вбудованого в плеєр BitTorrent-клієнта.
- **Призначений для користувача інтерфейс, що налаштовується:** підтримка медіаколекцій з показом обкладинок і значків (з графікою Full HD).
- **Інтернет-радіо:** відтворення та запис різних інтернет-радіостанцій (HTTP/MP3 та в інших форматах).
- **IPTV:** відтворення та запис IPTV-потоків (multicast UDP/RTP) від Інтернет провайдера\*.
- **Опція Digital TV:** відтворення та запис каналів цифрового телебачення за допомогою опціонального USB-модуля Digital TV\*\*.

\* *Дізнавайтесь про наявність multicast UDP/RTP потоків у інтернет-провайдера.*

\*\* *USB-модуль Digital TV не входить в комплект постачання; даний пристрій купується окремо.*

## Вміст коробки



1. Програвач Dune HD TV-101  
2. Пульт управління (батареї можуть не входити в комплект)

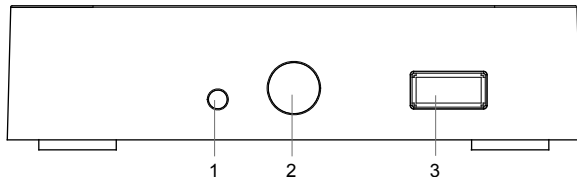
3. Wi-Fi антена (опціонально)  
4. Аудіо-відеокабель

5. Зовнішній блок живлення  
6. Коротке керівництво

**Примітка:** Інші аксесуари (опціонально) можуть додатково включатися в комплект постачання в залежності від конфігурації програвача, регіону та дистриб'ютора.

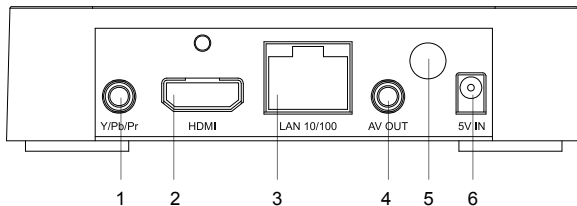
## Зовнішній вигляд

### Вид спереду



1. LED-індикатор
2. ІЧ-приймач
3. Порт USB 2.0 host

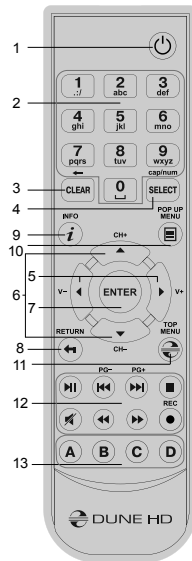
### Вигляд з заду



1. Компонентний (Y/Pb/Pr) відеовихід
2. Вихід HDMI 1,3
3. Порт LAN
4. Аудіо-відео вихід (3,5 мм мініджек)
5. Wi-Fi антена (опціонально)
6. Роз'єм живлення (5 В)

## Пульт керування

- POWER** – переведення програвача в/із режиму очікування.
- 0-9** – введення цифр і тексту; переключення каналів при перегляді ТВ.
- CLEAR** – видалення введених даних, видалення вибраних об'єктів.
- SELECT** (cap/pup) – переключення режимів вводу тексту, виділення об'єктів, управління деякими іншими функціями плеєра.
- RIGHT/LEFT (V+/V-)** – навігація по екранному меню, регулювання гучності при відтворенні.
- UP/DOWN (CH+/CH-)** – навігація по екранному меню, переключення телеканалів при перегляді ТВ.
- ENTER** – відкриття/використання вибраного пункту в меню, підтвердження вводу інформації, вивід OSD-меню у режимі відтворення, вивід меню каналів та програм (EPG) при перегляді ТВ.
- RETURN** – повернення, відміна операції.
- INFO** – вивід інформації про обраний об'єкт чи поточний стан плеєра.
- POP UP MENU** – вивід меню вибору можливих операцій для обраного об'єкту.
- TOP MENU** – перехід в головне меню плеєра, управління деякими іншими функціями плеєра.





- 12. PLAY/PAUSE, STOP, PREV, NEXT, REW, FWD, REC, MUTE** – управління ходом відтворення та деякими іншими функціями плеєра.
- 13. А** (червона), **В** (зелена), **С** (жовта), **D** (блакитна) – управління певними функціями плеєра (в залежності від ситуації).

**Примітки:**

- Використовуйте лужні (alkaline) батареї типу AAA.
- Дотримуйтесь полярності при установці батарейок.
- Направляйте пульт на програвач. Між пультом та програвачем не повинно бути перешкод.
- Якщо пульт працює тільки з невеликої відстані, замініть батарейки.
- Деякі клавіші пульта можуть мати декілька значень в залежності від режиму роботи програвача.
- Деякі клавіші пульта можуть працювати тільки в деяких режимах роботи програвача чи при відтворенні матеріалів певного типу.

## Початок роботи

Переконайтесь, що навколо програвача достатньо місця для хорошого охолодження. Простору з кожної сторони повинно бути не менше 10 см.

Переконайтесь, що в пульт вставлені батарейки.

Підключіть програвач до телевізору та до іншого аудіо-відео устаткуванню належним чином. Використовуйте HDMI-підключення для отримання максимально якісного відео та звуку. Переконайтесь, що програвач та все відповідне аудіо-відео устаткування ввімкнено при проведенні підключень. Переконайтесь, що телевізор та інше аудіо-відео устаткування налаштовано на використання потрібних входів.

Ввімкніть програвач. Він проведе процедуру первинного запуску, яка займе близько хвилини. Під час цієї процедури на екрані телевізора буде показаний логотип «DUNE».

- Якщо ви не бачите логотипу «DUNE» на екрані телевізора після включення програвача, це може означати проблему з'єднання програвача та телевізора, а також вибір невірної відеовходу в телевізорі чи аудіо-відеореєсвері/розгалужувачі. В цьому випадку, перевірте ще раз кабелі та налаштування телевізора чи аудіо-відеореєсвер/розгалужувача, чи використайте інші кабелі чи інший спосіб підключення до телевізора.
- Якщо ви бачите логотип «DUNE» на екрані телевізора після ввімкнення програвача, але потім зображення зникає і нічого не з'являється на протязі хоча б 10 секунд, це може означати, що в програвачі вибраний не вірний відео режим. В цьому випадку, натисніть клавішу пульта «**REC**», а потім одну з клавіш «**1**», «**2**», «**3**», «**4**» чи «**5**» для включення іншого відео режиму (див. «Швидка зміна відео режиму» ).

В результаті, ви повинні побачити головний екран меню програвача. На головному екрані показані елементи, що надають доступ до основних функцій програвача і до вмісту всіх підключених до програвача накопичувачів та мережних дисків.

Налаштування програвача можна змінити, скориставшись елементом «Налаштування» на головному екрані меню програвача. Зокрема, можна налаштувати параметри відтворення відео та аудіо, а також параметри підключення до мережі.

Для вибору мови меню програвача, використовуйте налаштування «Setup/General/Interface language».

Використовуйте клавіші пульта «ВЛІВО», «ВПРАВО», «ВВЕРХ», «ВНИЗ», «ENTER», «RETURN» для управління меню програвача. Клавіша пульта «POP UP MENU» призначена для показу списку доступних команд. Клавіша пульта «INFO» виводить інформацію про обраний елемент.

## Швидка зміна відео режиму

Клавіша пульта «REC» дозволяє швидко налаштувати відео режим відеовиходу без виходу в меню налаштувань програвача. Цей спосіб може знадобитись, якщо ви не бачите зображення на екрані після підключення програвача до телевізора.

Натисніть клавішу «REC», а потім одну із клавіш «1», «2», «3», «4» чи «5» для включення одного з наступних відео режимів:

1. Композитний PAL
2. Композитний NTST
3. HDMI, 480i, 60 Гц
4. HDMI, 720p, 60 Гц
5. HDMI, 1080i, 60 Гц

Після того як на екрані з'явиться зображення, натисніть «ENTER», а потім зайдіть в меню налаштувань програвача для більш детального налаштування відео режиму, якщо це необхідно.

***Примітка:** Процедура швидкої зміни відео режиму недоступна під час відтворення, а також в деяких інших режимах роботи пристрою. Для того, щоб гарантовано виконати цю процедуру, вимкніть програвач, потім ввімкніть його знову і почекайте близько однієї хвилини для того, щоб він встиг провести процедуру початкового завантаження. Після цього натисніть клавішу пульта «STOP» для того, щоб гарантовано вийти з режиму відтворення. Потім вже використовуйте клавішу пульта «REC».*

## Підключення USB-накопичувачів

Для підключення USB-накопичувача переконайтесь, що ви знаходитесь на головному екрані меню програвача, підключіть USB-накопичувач до одного із USB-портів. Програвач розпізнає накопичувач, і на головному екрані з'явиться відповідний елемент. При підключенні USB-накопичувача, якому потрібна значна потужність по живленню (наприклад, жорсткий диск), використовуйте зовнішній блок живлення для USB-накопичувача. Живлення, яке надає програвач для USB-портів, може виявитись недостатнім для коректного функціонування USB-диска. Не від'єднуйте і не відключайте USB-накопичувач під час операцій запису на нього.

## Доступ до мережевих дисків

Для підключення мережевого диску по протоколу SMB чи NFS, переконайтесь, що ви знаходитесь на головному екрані меню програвача, натисніть клавішу пульта **«MENU»** та оберіть пункт «Створити мережеву папку», потім введіть необхідні параметри мережевого диску. Програвач буде показувати елемент, відповідний цьому мережевому диску, на головному екрані. Для перегляду списку доступних мережевих ресурсів по протоколу SMB чи UPnP, скористайтесь елементом «Браузер мережі» на головному екрані меню програвача.

***Примітка:** Якщо якісь мережеві ресурси не показуються програвачем, може потрібно почекати декілька хвилин та повторити спробу (або натиснути клавішу пульта **«MENU»** та обрати команду «Відновити»).*

## Форматування жорсткого диску

Для форматування підключеного до програвача HDD, оберіть іконку HDD в головному меню програвача, натисніть клавішу **«INFO»** на ПДУ та оберіть елемент «Форматування диску» (для того, щоб форматувати весь диск) чи «Форматування розділу» (щоб форматувати вже існуючий розділ). Програвач здійснить форматування. Для форматування не форматovanого раніше диску, натисніть клавішу **«ENTER»** на пульті, заздалегідь обравши іконку HDD в меню плеєра.

***Примітка:** Для використання дисків, форматованих програвачем, на комп'ютері з Windows, може бути потрібна установка на комп'ютер додаткового програмного забезпечення, наприклад, такого, як «EXT2FSD»(<http://www.ext2fsd.com/>).*

## Включення і виключення програвача

Для переведення програвача в режим очікування, натисніть клавішу пульта **«POWER»**. Для виходу із режиму очікування натисніть цю клавішу ще раз.

В залежності від налаштувань програвача (див. меню налаштувань плеєра), може бути використаний режим «апаратного очікування» чи «програмного очікування». В режимі «апаратного очікування», живлення програвача майже повністю вимкнено і програвач майже не споживає електроенергію. В режимі «програмного очікування» програвач не видає сигнал на відеовихід, але продовжує функціонувати. Наприклад, якщо до нього підключені накопичувачі, вони як і раніше будуть доступні із мережі ( функція «NAS» програвача). Вихід із режиму очікування займає всього декілька секунд. Коли програвач знаходиться в режимі «програмного очікування», він як і раніше споживає значну кількість електроенергії . Не рекомендується надовго залишати програвач в режимі «програмного очікування» без необхідності. Для повного відключення плеєра, від'єднайте кабель живлення.

**Примітка:** Після повного відключення програвача чи переведення програвача в режим «апаратного очікування», рекомендується почекати близько 1 хвилини перед повторним включенням.

## NAS (Network Attached Storage)

Можна отримати доступ до накопичувачів, підключеним до програвача, із локальної мережі по протоколам FTP і SMB. На комп'ютері з Windows просто наберіть «ftp://ip\_address» чи «\\ip\_address» в Провіднику (Windows Explorer), де «ip\_address» - IP-адреса програвача.

## WiFi

Якщо ваш плеєр не оснащений вбудованим адаптером Wi-Fi, ви можете використовувати WiFi-адаптер, що підключається по USB, для підключення програвача до безпроводної (WiFi) локальної мережі. За інформацією про підтримувані USB-WiFi-адаптери звертайтеся на сторінку: [http://dune-hd.com/support/hw\\_compat/](http://dune-hd.com/support/hw_compat/)

## Обмеження

Сумісність програвача з конкретним устаткуванням (аудіо-відео устаткування, мережеве устаткування, накопичувачі та інше) може залежати від різних факторів (конкретної моделі устаткування, особливостей апаратної інсталяції та її використання, налаштувань програвача та устаткування та інше). Якщо програвач не працює коректно з деяким обладнанням, спробуйте змінити конфігурацію програвача чи обладнання, спробуйте використати обладнання іншим чином, або використати інше обладнання.

Сумісність програвача з конкретним видом медіа матеріалів (файли, диски та інше) може залежати від різних факторів (особливості кодування медіа матеріалів, особливості налаштувань програвача та інше). Якщо програвач не відтворює коректно деякі медіа матеріали, спробуйте змінити налаштування програвача чи використати медіа матеріали, закодовані у відмінному форматі.

## Оновлення плеєра і допоміжна інформація

Будь ласка, перевіряйте доступність оновлення програмного забезпечення програвача («прошивки») на наступній інтернет-сторінці (це може покращити функціональність програвача і розширити його можливості): <http://dune-hd.com/firmware/>

(Зауваження: Ви також можете підключити плеєр до Інтернету і скористатися функцією онлайн оновлення прошивки, див. Налаштування/Різне/Оновлення Прошивки.)

Будь ласка, звертайтеся до наступних інтернет-сторінок для отримання більш детальної і актуальної документації і інформації про використання програвача:

<http://dune-hd.com/manuals/>

<http://dune-hd.com/support/>

## Wstęp

Dune HD TV-101 to rozwiązanie all-in-one stworzone do odtwarzania materiałów wideo Full HD (do 1080p).

## Główne cechy

- **Najnowszy procesor multimedialny Sigma Designs seria 8670/8671:** ciesz się doskonałą jakością odtwarzania oraz wysoką wydajnością interaktywnych dodatków.
- **Odtwarzanie z dysku:** podłącz dysk zewnętrzny do odtwarzacza i oglądaj multimedia bezpośrednio z dysku.
- **Odtwarzacz sieciowy:** podłącz odtwarzacz do sieci lokalnej i odtwarzaj materiały bezpośrednio z udostępnionych zasobów Twojego komputera lub serwera sieciowego NAS (obsługa protokołów UPnP, SMB, NFS).
- **Odtwarzacz MKV:** oglądaj filmy SD i HD w najbardziej popularnym formacie MKV oraz innych najnowszych formatach, ciesz się wysokiej jakości wideo z bardzo wysokim bitrate'm.
- **Port USB:** podłączaj dyski twarde USB, pamięci przenośne, czytniki kart pamięci i inne urządzenia wyposażone w złącze.
- **HDMI 1.3:** uzyskaj najwyższej jakości obraz i dźwięk HD.
- **Elastyczność wyjścia wideo:** ustaw wyjście wideo w dowolnej rozdzielczości i formacie (od SD do formatu 1080p, 24p/PAL/NTSC).
- **Skaler:** wysokiej jakości wbudowany skaler zapewnia doskonały obraz podczas oglądania filmów DVD i innych materiałów SD na ekranie telewizora Full HD (1080p).
- **Menadżer plików:** prosta przeglądarka plików z rozbudowanym zarządzaniem plików (kopiowanie, przenoszenie, usuwanie, zmiana nazwy, organizacja, sortowanie).



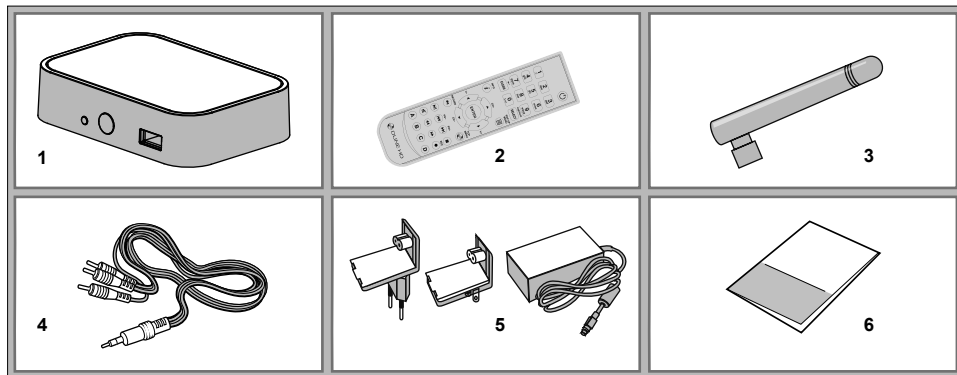
## Dodatkowe możliwości

- **Odtwarzanie muzyki wysokiej jakości:** odtwarzaj muzykę najwyższej jakości (do 192 Khz / 24-bit) zapisaną w bezstratnych formatach (FLAC, Monkey's Audio APE, WAV/PCM, DTS, itd).
- **Playlisty:** twórz listy odtwarzania ze swoich zasobów, korzystaj z własnych playlist oraz z funkcji zapętlenia i odtwarzania losowego.
- **Funkcja NAS:** uzyskaj dostęp przez sieć lokalną do zasobów podłączonych do odtwarzacza (obsługa protokołów Samba oraz FTP).
- **BitTorrent:** wykorzystaj wbudowanego klienta BitTorrent do pobierania plików z sieci P2P.
- **Modyfikowalny interfejs:** przeglądaj kolekcje mediów z widokiem okładek lub ikon (obsługa grafik HD).
- **Radio Internetowe:** odtwarzaj i nagrywaj internetowe stacje radiowe (HTTP/MP3).
- **IPTV:** odtwarzaj i nagrywaj kanały telewizji internetowej udostępnianej przez Twojego dostawcę internetu\* (multicast UDP/RTP).
- **Cyfrowa telewizja naziemna:** odtwarzaj i nagrywaj kanały cyfrowej telewizji naziemnej DVB-T za pomocą opcjonalnego adaptera USB DVB-T\*\*.

\* Sprawdź dostępność strumieni telewizji internetowej typu multicast UDP/RTP u swojego dostawcy internetu.

\*\* Adapter USB DVB-T nie jest elementem zestawu, można go zamówić osobno.

## Zawartość zestawu



1. Odtwarzacz Dune HD TV-101  
2. Pilot (baterie nie są elementem zestawu)

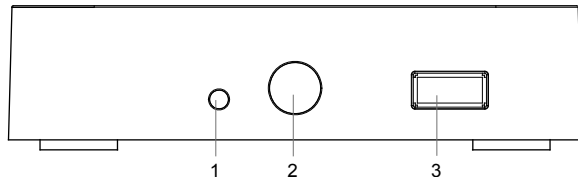
3. Antena Wi-Fi (opcjonalnie)  
4. Kabel AV (3.5mm minijack na 3xRCA)

5. Zasilacz  
6. Instrukcja Szybki Start

**UWAGA:** Opcjonalne elementy mogą być zawarte w zestawie w zależności od wersji odtwarzacza, regionu i dystrybutora.

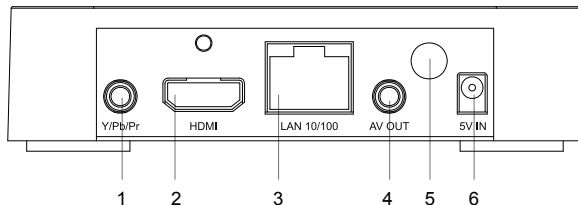
## Wygląd i złącza

### Przód



1. Dioda LED
2. Czujnik IR
3. Złącze USB 2.0 host

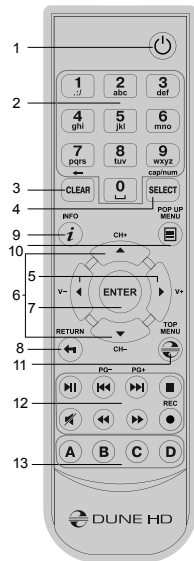
### Tył



1. Wyjście wideo Komponent (Y/Pb/Pr)
2. HDMI 1.3
3. LAN
4. Wyjście AV 3.5mm minijack
5. Antena Wi-Fi (opcjonalna)
6. Złącze zasilania 5V

## Opis pilota

- POWER** — włącza i wyłącza odtwarzacz, przełącza odtwarzacz w tryb uśpienia „Stand-by”.
- 0–9** — klawisze do wprowadzania liczb i znaków, przełączanie kanałów telewizyjnych podczas odbioru telewizji DVB-T.
- CLEAR** — usuwanie wprowadzonych znaków, kasowanie zaznaczonych pozycji.
- SELECT** (cap/num) — zmiana klawiszy numerycznych w klawisze do wprowadzania znaków, wybór wielu pozycji, kontrola innych funkcji odtwarzacza.
- PRAWO/LEWO (V+/V-)** — nawigacja po menu, kontrola natężenia dźwięku podczas odtwarzania.
- GÓRA/DÓŁ (CH+/CH-)** — nawigacja po menu, przełączanie kanałów TV.
- ENTER** — uruchamia/otwiera wybrany element, zatwierdzenie wyboru, pokazuje menu OSD podczas odtwarzania, pokazuje menu kanałów TV i EPG w czasie oglądania TV.
- RETURN** — powrót, anulowanie rozpoczętego działania.
- INFO** — pokazuje informacje o wybranym elemencie lub aktualny stan odtwarzacza.
- POP UP MENU** — pokazuje menu z możliwymi do wykonania czynnościami dla wybranego elementu lub aktualny stan odtwarzacza.
- TOP MENU** — przenosi do menu głównego odtwarzacza, kontroluje inne funkcje odtwarzacza.



- 12. PLAY/PAUSE, STOP, PREV, NEXT, REW, FWD, REC, MUTE** — sterowanie odtwarzaniem oraz innymi funkcjami odtwarzacza.
- 13. A** (Czerwony), **B** (Zielony), **C** (Żółty), **D** (Niebieski) — kontrolują różne funkcje odtwarzacza (w zależności od kontekstu).

***Uwagi:***

- *Zaleca się używanie baterii alkalicznych (AAA).*
- *Zwróć uwagę na polaryzację przy wkładaniu baterii.*
- *Kieruj pilot w stronę odtwarzacza. Pomiędzy pilotem i odtwarzaczem nie powinny znajdować się żadne przeszkody.*
- *Jeśli pilot działa tylko z bliska lub nie działa w ogóle, należy wymienić baterie.*
- *W zależności od trybu odtwarzacza, niektóre przyciski pilota mogą być przypisane do różnych funkcji.*
- *Niektóre przyciski pilota działają tylko w wybranych trybach odtwarzacza lub tylko podczas odtwarzania.*

## Pierwsze kroki

Upewnij się, że wokół odtwarzacza jest wystarczająco dużo miejsca, aby zapewnić odpowiednie chłodzenie (co najmniej 10 cm z każdej strony). Upewnij się że w pilocie są baterie.

Podłącz odtwarzacz do TV i innych urządzeń A/V we właściwy sposób. Użyj połączenia HDMI, aby uzyskać najlepszą możliwą jakość obrazu i dźwięku. Podłączając odtwarzacz i inne urządzenia upewnij się, że są one wyłączone. Upewnij się, że TV i amplituner A/V są połączone właściwymi wejściami.

Włącz odtwarzacz. Rozpocznie się procedura ładowania, która może potrwać do około 1 minuty. W tym czasie na ekranie TV powinno wyświetlać się logo „DUNE”.

- Jeśli po włączeniu odtwarzacza, na ekranie TV nie pokazało się logo „DUNE”, może to oznaczać błędne połączenie pomiędzy odtwarzaczem i TV lub to, że wybrane zostało niewłaściwe wejście wideo na TV lub na amplitunerze A/V. W takim przypadku, ponownie sprawdź połączenie i ustawienia amplitunera A/V, lub spróbuj użyć innego kabla bądź innego sposobu połączenia do TV.
- Jeśli po włączeniu odtwarzacza pojawia się logo „DUNE”, ale obraz znika i nic nie pojawia się po około 10 sek., może to oznaczać, że wybrane zostało złe ustawienie wyjścia wideo. W takim przypadku wciśnij przycisk „**REC**” na pilocie, a następnie naciśnij na pilocie „**1**”, „**2**”, „**3**”, „**4**” lub „**5**” aby przełączyć pomiędzy różnymi trybami wyjściowymi (zobacz „Szybkie ustawienia wyjścia wideo”).

Na ekranie powinno być widoczne menu główne odtwarzacza. Z poziomu menu głównego uzyskuje się dostęp do różnych funkcji odtwarzacza oraz do wszystkich podłączonych urządzeń zewnętrznych i sieciowych.

W razie potrzeby dostosuj ustawienia odtwarzacza, używając zakładki „**SETUP**” dostępnej z menu głównego. W tej zakładce można zmienić ustawienia wideo, audio oraz sieciowe. Aby wybrać język menu odtwarzacza przejdź do „Setup / General / Interface language”.

Do poruszania się po menu głównym odtwarzacza służą przyciski pilota „**PRAWO**”, „**LEWO**”, „**GÓRA**”, „**DÓŁ**”, „**ENTER**” i „**RETURN**”. Naciśnięcie przycisku „**POP UP MENU**” na pilocie, pokazuje listę dostępnych komend. Naciśnięcie przycisku na pilocie, pokazuje informacje o wybranym elemencie.

## Szybkie ustawienia wyjścia wideo

Przycisk „**REC**” na pilocie pozwala na dostęp do ustawień wyjścia wideo bez konieczności wchodzenia w menu ustawień. Ten sposób ustawień wyjścia wideo może być używany jeśli po podłączeniu odtwarzacz do TV nie wyświetla się żaden obraz.

Naciśnięcie przycisku „**REC**” na pilocie, a następnie „**1**”, „**2**”, „**3**”, „**4**” lub „**5**” przełącza pomiędzy następującymi trybami:

1. Kompozyt PAL
2. Kompozyt NTSC
3. HDMI, 480i, 60 Hz
4. HDMI, 720p, 60 Hz
5. HDMI, 1080i, 60 Hz

Kiedy na ekranie pojawi się obraz, wciśnięcie przycisku „**ENTER**” zatwierdza wybrany tryb, następnie, jeśli to konieczne, przechodząc do menu ustawień wideo można dokonać szczegółowej konfiguracji.

**Uwaga:** Procedura opisana powyżej nie może być używana w czasie odtwarzania oraz w kilku innych przypadkach. Aby upewnić się, że można jej użyć należy wyłączyć odtwarzacz, następnie włączyć go ponownie i poczekać około 1 minuty aż się załaduje. Następnie należy wcisnąć przycisk «**STOP**» na pilocie, aby upewnić się, że odtwarzanie jest zatrzymane. Dopiero wtedy można używać przycisku «**REC**».

## Podłączenie dysków/pamięci USB

Aby podłączyć dysk/pamięć USB, należy upewnić się, że jest się w głównym menu, następnie podłączyć urządzenie USB do portu znajdującego się na odtwarzaczu. Odtwarzacz rozpozna podłączone urządzenie i wyświetli odpowiednią ikonę w menu.

W przypadku podłączanie urządzenia, które wymaga zewnętrznego zasilania (jak np. USB HDD), należy użyć dołączonego do urządzenia zasilacza. Moc dostarczana przez port USB odtwarzacza może być niewystarczająca do poprawnego funkcjonowania podłączonego urządzenia. Nie wolno odłączać lub wyłączać, podłączonych urządzeń USB, w czasie gdy są na nich zapisywane dane.

## Dostęp do dysków sieciowych

Aby podłączyć dysk sieciowy używając protokołu SMB lub NFS, należy, będąc na głównym ekranie menu odtwarzacza, wcisnąć na pilocie przycisk „**MENU**” i wybrać opcję „Utwórz folder sieciowy”, następnie wypełnić odpowiednie pola. Odtwarzacz wyświetli odpowiednią ikonę skonfigurowanego połączenie w menu.

Aby przeglądać listę zasobów sieciowych dostępnych za pośrednictwem protokołów SMB lub UpnP, należy wybrać pozycję „Przeglądarka sieci” na głównym ekranie menu odtwarzacza.

**Uwaga:** Jeśli niektóre zasoby sieciowe nie są wyświetlane, należy odczekać kilka minut i podjąć kolejną próbę połączenia (lub nacisnąć na pilocie przycisk „**MENU**” a następnie wybrać polecenie „Odśwież”).

## Formatowanie dysku twardego

Aby sformatować dysk twardy podłączony do odtwarzacza, należy wybrać ikonę reprezentującą dysk, który ma zostać sformatowany, a następnie nacisnąć na pilocie przycisk „**INFO**” i wybrać polecenie „Formatuj dysk” (aby sformatować cały dysk) lub „Formatuj partycję” (aby sformatować istniejącą już na dysku partycję). Odtwarzacz sformatuje dysk. Aby sformatować dysk, który nie był wcześniej formatowany, wystarczy wybrać go z menu i nacisnąć na pilocie „**ENTER**”.

**Uwaga:** Aby korzystać z dysku sformatowanego przez odtwarzacz, w komputerze PC z zainstalowanym systemem Windows, konieczna jest instalacja dodatkowego oprogramowania, np. „EXT2FSD” (<http://www.ext2fsd.com/>).



## Tryb uśpienia „czuwania”

Aby wyłączyć odtwarzacz do trybu czuwania należy na pilocie wcisnąć przycisk «**POWER**». Ponowne wciśnięcie tego samego klawisza powoduje wyjście z tego trybu.

W zależności od ustawień odtwarzacza (patrz menu ustawień odtwarzacza), mogą być używane tryby «uśpienia» lub «czuwania». W trybie «uśpienia» odtwarzacz zostaje niemal całkowicie odcięty od zasilania i pobiera bardzo mało energii. W drugim trybie, odtwarzacz nie podaje sygnału na wyjście wideo, ale nadal działa. Na przykład jeśli do odtwarzacza podłączony jest zewnętrzny dysk, to wciąż możliwy jest do niego dostęp za pośrednictwem sieci (zobacz: NAS). Wyjście z trybu «czuwania» trwa zaledwie kilka sekund. Kiedy odtwarzacz znajduje się w tym trybie, pobiera znaczącą ilość energii. Nie zaleca się wyłączenia odtwarzacza do trybu «czuwania» na krótkie okresy jeśli nie jest to konieczne.

Aby wyłączyć urządzenie całkowicie, należy wyciągnąć wtyczkę z gniazdka.

**Uwaga:** Po całkowitym wyłączeniu urządzenia lub wyłączeniu do trybu «uśpienia», zaleca się odczekać ok. 1 minuty przed ponownym uruchomieniem.

## NAS (Sieciowy serwer plików NAS)

Odtwarzacz umożliwia dostęp do danych znajdujących się na podłączonych dyskach poprzez sieć lokalną przy użyciu protokołu FTP i SMB (Samba). W Eksploratorze Windows należy wpisać «ftp://adres\_ip» lub «\\adres\_ip», gdzie «adres\_ip» to adres IP odtwarzacza.

## WiFi

Jeśli odtwarzacz nie ma wbudowanej karty WiFi, do podłączenia odtwarzacza do sieci lokalnej przez WiFi można korzystać z zewnętrznej karty USB WiFi.

Lista obsługiwanych kart USB WiFi znajduje się pod adresem: [http://dune-hd.com/support/hw\\_compat/](http://dune-hd.com/support/hw_compat/)

## Ograniczenia

Zgodność odtwarzacza z innymi urządzeniami (urządzenia audiowizualne, urządzenia sieciowe, stacje dysków, itp.) może zależeć od różnych czynników (w szczególności od modelu urządzenia, jego specyfiki instalacji i użytkowania, konfiguracji odtwarzacza i urządzeń, itp.). Jeśli odtwarzacz nie działa poprawnie z danym urządzeniem, spróbuj zmienić konfigurację odtwarzacza lub urządzenia, spróbuj użyć urządzenia w inny sposób, lub użyć innego urządzenia. Zgodność odtwarzacza z niektórymi mediami i nośnikami (pliki, dyski, itp.) może zależeć od różnych czynników (rodzaj kodowania zawartości mediów, konfiguracji odtwarzacza, itp.). Jeśli odtwarzacz nie odtwarza poprawnie niektórych plików, spróbuj zmienić konfigurację, lub użyj plików z innym kodowaniem.

Aktualizacja oprogramowania oraz informacje dodatkowe

Nowe wersje firmware dostępne są pod adresem (oprogramowanie może poprawić funkcjonowanie i rozszerzyć możliwości odtwarzacza):

<http://dune-hd.com/firmware/>

(Uwaga: Możesz również podłączyć odtwarzacz do sieci internet i skorzystać z funkcji aktualizacji firmware „online”, aby skorzystać z tej opcji przejdź do Ustawienia/Pozostałe/Firmware Upgrade.)

Bardziej szczegółowa dokumentacja i informacje dotyczące użytkowania odtwarzacza znajdują się pod adresem:

<http://dune-hd.com/manuals/>

<http://dune-hd.com/support/>





[www.Dune-HD.com](http://www.Dune-HD.com)